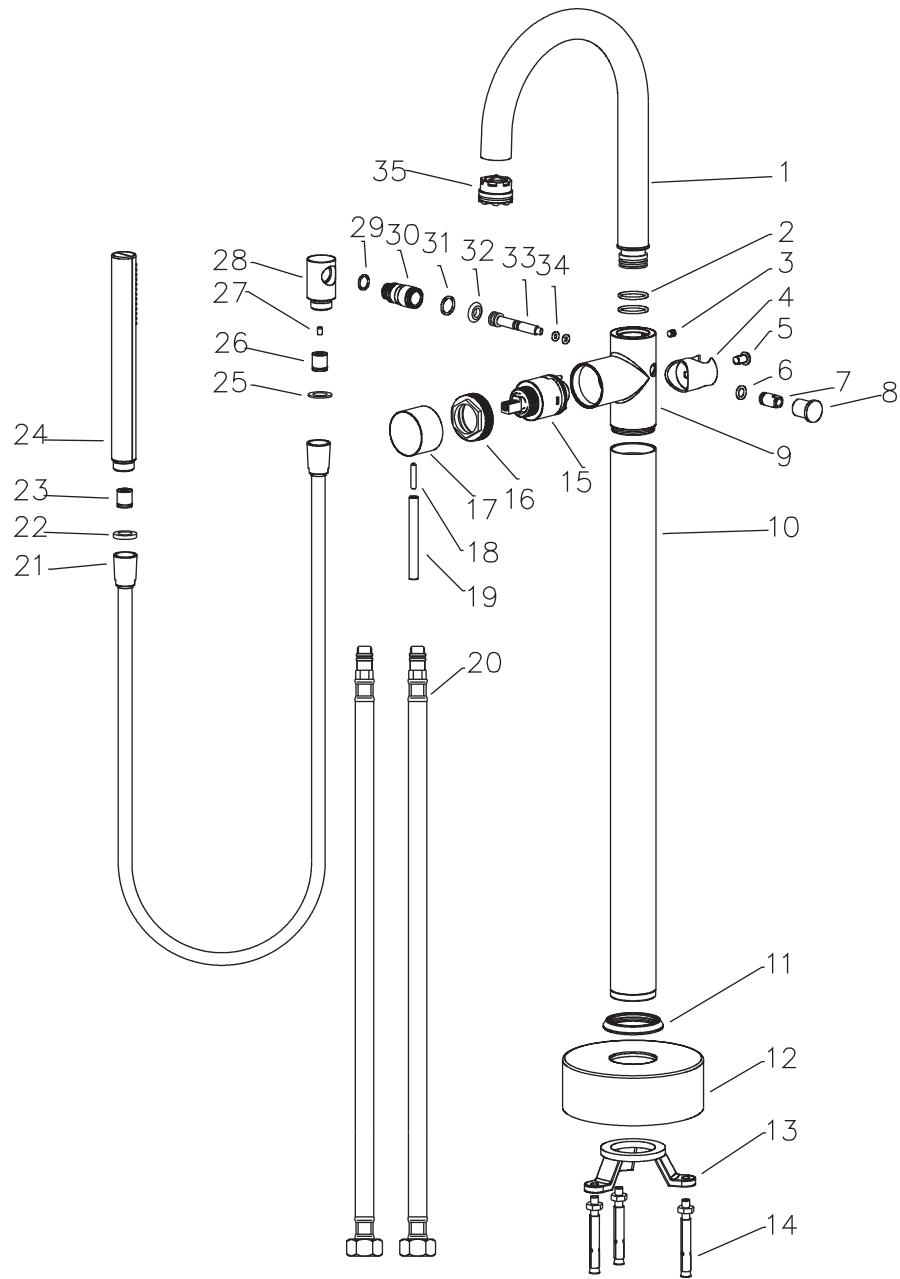


# ELEMENTi

## Installation & Operation Instruction

To ensure that your installation proceeds smoothly, please read this instructions carefully before you begin.

Model:  
42980/T60778HG  
Uno Bath Column With Handpiece



PARTS LIST		
No.	Part Name	Q'ty
1	Spout	1
2	O-ring	2
3	Screw	1
4	Holder	1
5	Screw	1
6	O-ring	1
7	Sleeve	1
8	Tip	1
9	Body	1
10	Pipe	1
11	Seal	1
12	Escutcheon	1
13	Base Seat	1
14	Anchor	3
15	Cartridge	1
16	Retainer	1
17	Handle	1
18	Screw	1
19	Lever	1
20	Hose	2
21	Hose	1
22	Restrictor	1
23	Check Valve	1
24	Shower	1
25	Washer	1
26	Check Valve	1
27	Screw	1
28	Adapter	1
29	O-ring	1
30	Adapter	1
31	O-ring	1
32	Washer	1
33	Rod	1
34	O-ring	2
35	Aerator	1

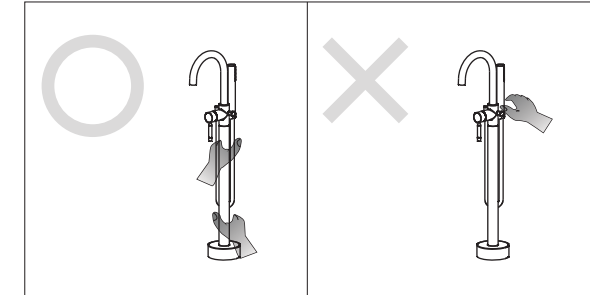
### 1 Note

\*Remove all impurities in pipes before beginning to avoid clogging. Connect faucet pipes correctly. That is, the flexible hose with red mark is for HOT water, while the one with blue mark is for COLD water.  
\* Check installation distances in the Dimension diagram to ensure correct installation.

#### Conditions for use

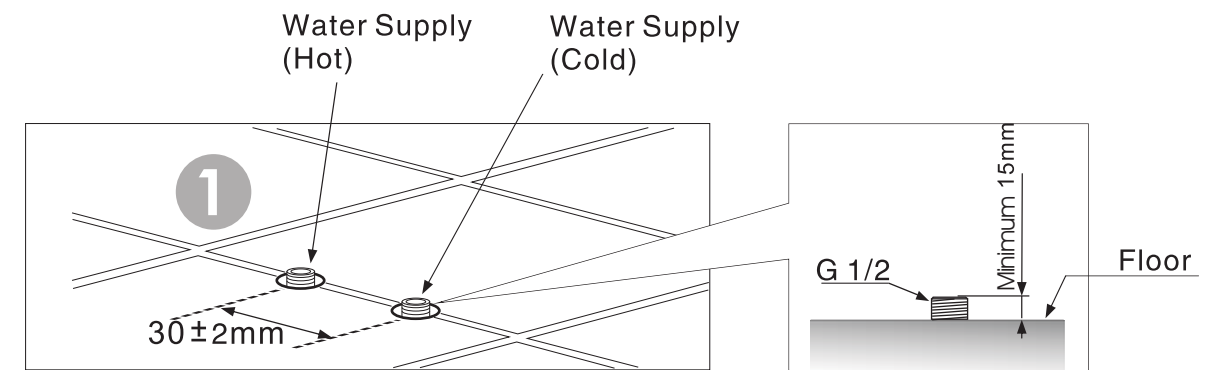
\* Recommended water pressure condition: 0.1~0.5Mpa.  
\* Environment Temperature: 1~55°C  
\* Not for use as a steam outlet.

During installation hold the body of the faucet not the handle

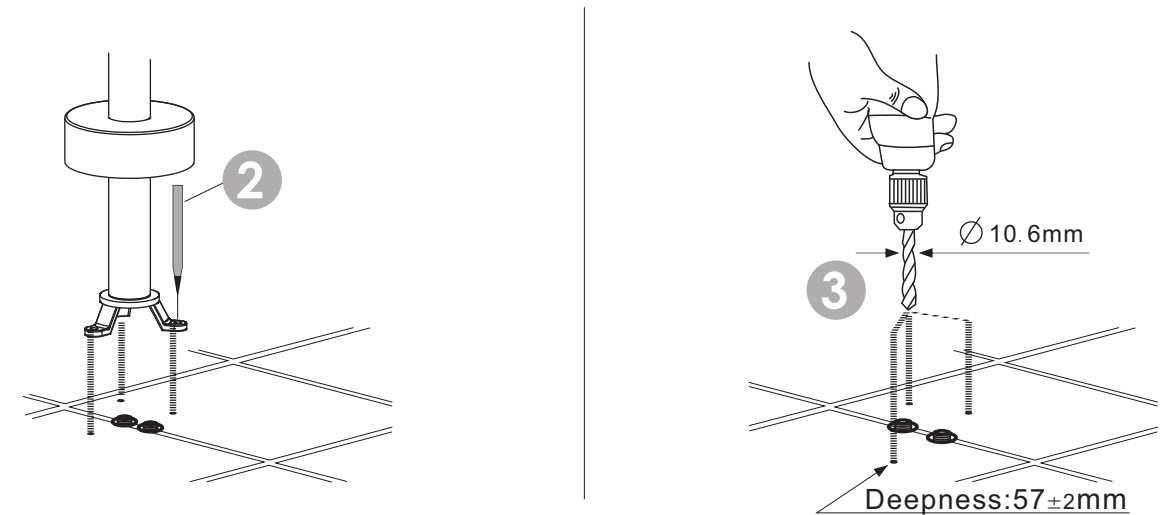


### 2 Install

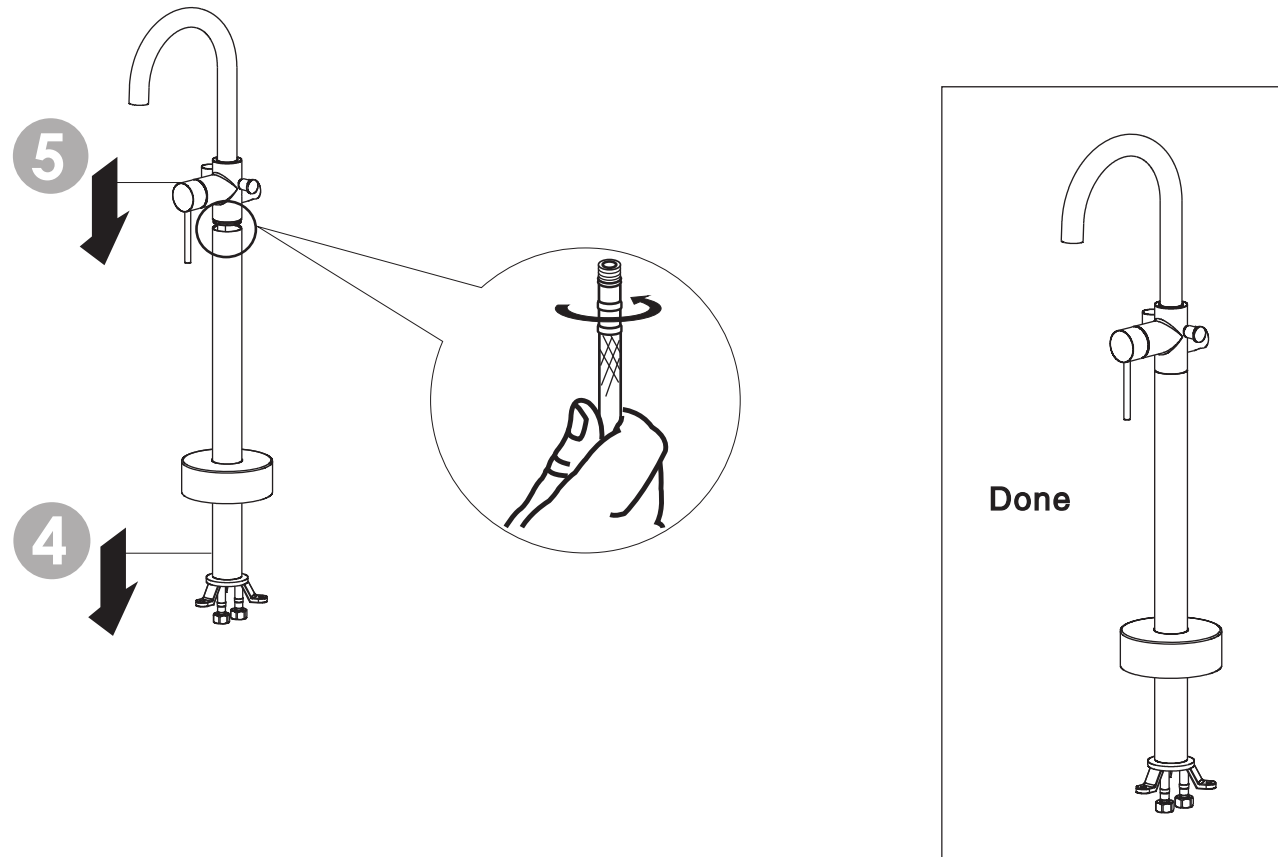
\* Lay water-supply pipe blueprint according to the drawing .



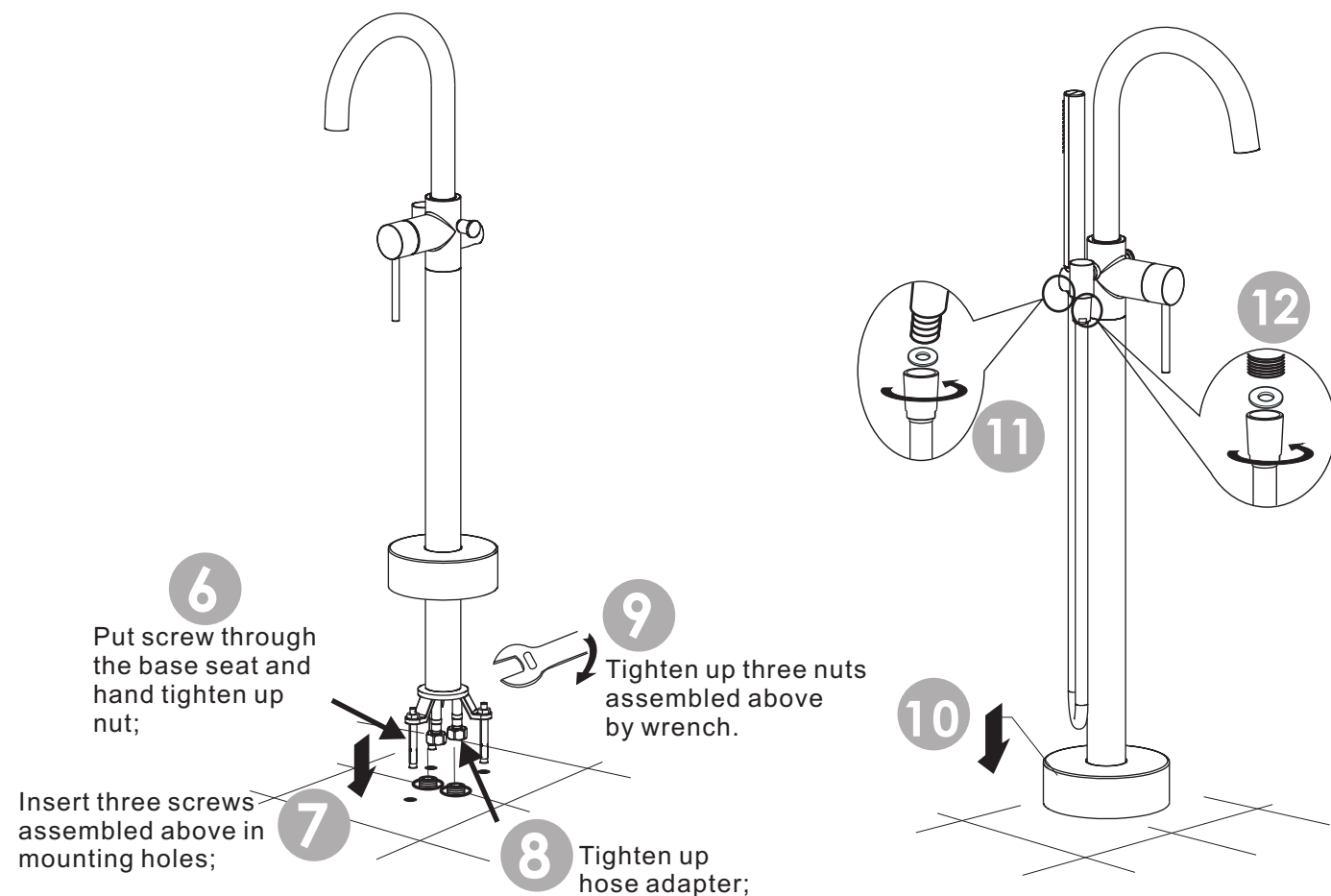
### 3 Install



## 4 Install



## 5 Install

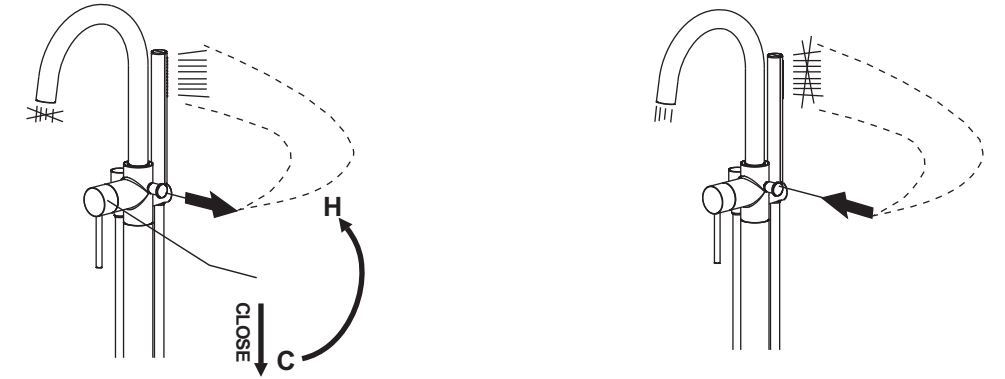


42185.02/T60778HG-01-RI  
Rotunda Floor Bath Filler & Hand Shower

## 6 Test / Use

- \* Turn handle down into "off" position. Turn on supply angle valve to check all connections for leak.
- \* Operate handle up and down to flush water lines thoroughly.

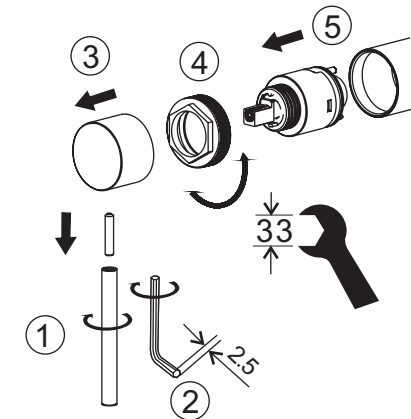
Use



## 7 Maintenance

If you want to change the parts or clean the inner of faucet, please follow the steps in below to remove the parts, then proceed the next steps.

1. Close Supply Water .
2. Open Up Faucet ( Reference Picture ) .
3. Clean Faucet or Change Component.
4. Reinstall .



## 8 Trouble Shooting

Trouble	Checkpoint	Contents	Action
Poor flow rate	Regulator	Check any impurities.	Remove all impurities.
	Angle valve	Check valve position.	Open it to full valve
	Flexible hose	Check if hose is twisted.	Untwist the hose.
Leakage	Cartridge packing	Check cartridge install.	When packing is damaged, replace the cartridge.
	Hose junction	Check the connection.	Check the existence of packing and wind it up sufficiently
Deviant Temperature	Supply system	Check if the water from angle valve is enough or not	Increase water supply
		Check if the supply pipe connected correct or not	Connect the hot and cold water pipe correctly



**Attention Installer:**  
Leave this information the customer  
after installation is complete

**ELEMENTi**

