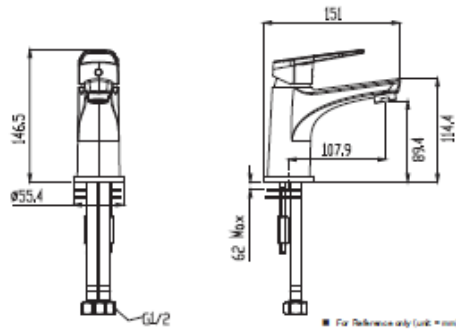


ELEMENTI

SAVON MAINS PRESSURE BASIN MIXER



■ For Reference only (not to scale)

SPECIFICATIONS	
Recommended use	Residential, Hotels, Motels, Retirement Villages
Colour availability	Metal/Black
Pressure rating	Main Pressure-Equal Maximum operating pressure 500 KPa. Minimum operating pressure 150 KPa.
Temperature rating	Maximum continuous working temperature 70°
Suitable Hot Water Units	Storage Tank/Yes Continuous Flow/No (1 Delivered/Hot/Cold Supply/5 The Mixer/Required) Gravitally Fed/Not Recommended
Hole Diameter	Min 35/Max 38 Bench Thickness Max 62
WELS	Main Pressure-Equal Stars: 5 Flow rate: 5.4 L/min



CLEANING RECOMMENDATIONS

This product should not be cleaned with abrasive materials. Damage caused by any improper treatment is not covered by the product warranty – refer to Warranty Conditions on the last page.

ELEMENTI

SAVON MAINS PRESSURE BASIN MIXER

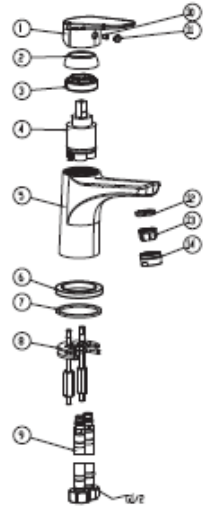
INSTALLATION

Important Note
Mixer must be installed to the requirements of AS/NZS 3500 by a licensed plumber. Your mixer comes to you already factory assembled and tested. We do not recommend the dismantling of any internal part of the mixer. The mixer has factory tested and sealed so as to give the best performance.

1. Please ensure pipework is clear of debris by flushing the lines prior to commencing the installation of the mixer.
2. Connect flexible hose tails to water inlet, using Pipe Sealing Tape (Figure 1)

Main Pressure Equal - recommend connection to hot/cold isolation valves, test operation.

Recommend additional isolation valve be fitted to hot inlet (not supplied)



EXPLODED VIEW

Item	Description	P/N
1	Handle	CTH20488- QBY- 7
2	Cartridge Cover	CTCP0454- QBY- 7
3	Nut	CTKT0064
4	Cartridge	ATBA0298
5	Body	CTY80574- QBY- 7
6	Base	CTDZ0107- QBY- 7
7	Waiver	CTWR0158
8	Screw Group	ATB00477
9	Hot Tube	ATB00381
10	Screw	CTST0117
11	Indie Button	CTCP0032
12	Waiver	CTWR0021
13	Aerator Insert	CTOP0054
14	Aerator Housing	CTXB0053

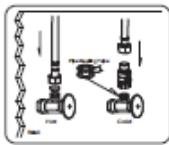


Figure 1

TO THE INSTALLER:
TWISTING OR STRETCHING OF FLEXIBLE HOSES DURING INSTALLATION MAY RESULT IN FAILURE AND VOID WARRANTY. ISOLATE MIXER BEFORE HYDROSTATIC TEST, FAILURE TO COMPLY WILL VOID WARRANTY. HOSES ARE PERMANENTLY FIXED TO THE BODY.

ELEMENTI

SAVON MAINS PRESSURE BASIN MIXER

GUARANTEES

All Guarantees are subject to terms and conditions and available on request or can be viewed at <http://www.robertson.com.au/downloads>

WITHOUT EXCEPTION ROBERTSON PRODUCTS ARE GUARANTEED TO MEET OR EXCEED THE STANDARD REQUIREMENTS FOR THE NEW ZEALAND BUILDING CODE.

*This excludes commercial installations unless stated.

In addition to specific guarantees provided, all products imported and sold by Robertson are, to the extent applicable, guaranteed in accordance with the Quality Clauses of the New Zealand Building Regulations and Consumer Guarantees Act.

Our guarantees apply only to products imported and sold by Robertson. These guarantees do not cover products sold by Robertson under any other agency, company or brand name.

As part of our ongoing commitment to continuous improvement, Robertson NZ Ltd reserves the right to make changes to its products at any time.

As this guarantee may not cover the cost of removal or installation, all products must be checked to see they are in good order and condition and fit for the intended purpose prior to installation.

Robertson reserves the right to determine any issue or uncertainty in connection with the warranty.

Robertson reserves the right to repair and/or replace the defective product and/or component at its discretion or return an equivalent if a product needs to be replaced.

All Warranty covered repair work is to be performed by a Robertson representative and/or authorised service agent or plumber who has received an authorisation number to attend the job.

Proof of purchase must be provided for all warranty claims.

This warranty is personal to the first end user and is not transferable unless stated.

IMPORTANT

Products must be inspected prior to installation. Please ensure that all products purchased from Mico are inspected prior to installation. Any suspected defect in a product must be notified to Mico as soon as possible after discovery. Should any defects be found do not install. Return the product to the point of purchase for a replacement. If a product is installed despite a fault having been identified prior to installation, Mico will not accept any liability for the cost of the labour to remove and install any replacement product.

Warranty Conditions

This warranty will apply only under all of the following conditions:

- The item has been installed by a licensed plumber
- The item has been installed as per the conditions of the recommend use
- Failure is due to a fault in the manufacture of the product
- Proof of purchase (including the date of purchase) is provided
- The installation of the product is in accordance with the instructions provided

This warranty does not cover products purchased as an end-display without being fully checked and tested for sale by the manufacturer.

This warranty does not include faults caused by:

- Unsuitable or improper use.
- Incorrect installation or installation not in accordance with the instructions provided.
- Installation or part installation by the purchaser or any person other than a LICENSED PLUMBER.
- Normal wear and tear.
- Inadequate or complete lack of maintenance.
- Chemical, electrochemical or electrical influences.
- Harsh detergents or abrasive cleaners used on product finishes.

CLAIM PROCEDURE

For all warranty queries customers are to contact the store where the product was purchased. These details can be found on your purchase invoice.