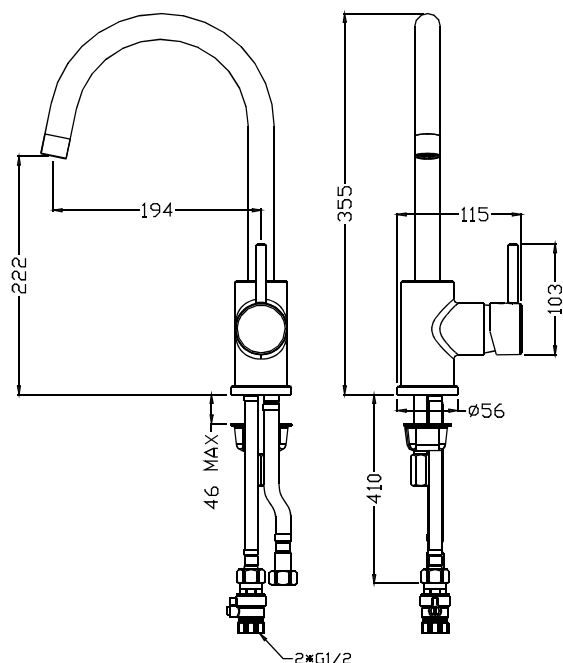


# ELEMENTi

## UNO KITCHEN MIXER CP, NO PULL DOWN



■ For Reference only (unit = mm)

### SPECIFICATIONS

<b>Recommended use</b>	Domestic and hotel
<b>Colour availability</b>	Chrome
<b>Pressure rating</b>	<b>Mains Pressure-Equal</b> Maximum operating pressure 500 KPa. Minimum operating pressure 150 Kpa. <b>Low/Unequal Pressure</b> Maximum operating pressure Cold 500 KPa. Minimum operating pressure Hot 35 Kpa.
<b>Temperature rating</b>	Maximum continuous working temperature 70°
<b>Suitable Hot Water Units</b>	Storage tank: Yes Continuous Flow: Yes Gravity Feed: Not recommended Hole Diameter: Min $\varnothing$ 32 /Max $\varnothing$ 38 Bench Thickness: Max 46
<b>WELS</b>	<b>Mains Pressure-Equal</b> Stars: 5 Flow rate: 5.4 L/Min <b>Low/Unequal Pressure</b> Stars: 5 Flow rate: 5.4 L/Min



### CLEANING RECOMMENDATIONS

This product should not be cleaned with abrasive materials  
 Damage caused by any improper treatment is not covered by the product warranty – refer to Warranty Conditions on the last page.

# ELEMENTi

## UNO KITCHEN MIXER CP, NO PULL DOWN

### INSTALLATION

#### Important Note

Mixer must be installed to the requirements of AZ/NZS 3500 by a licenced plumber. Your mixer comes to you already factory assembled and tested. We do not recommend the dismantling of any internal part of the mixer. The mixers are factory tested and sealed so as to give the best performance.

1. Please ensure pipework is clear of debris by flushing the lines prior to commencing the installation of the mixer.
2. Connect flexible hose tails to water inlet, using Pipe Sealing Tape(Figure 1).  
Mains Pressure Equal - recommend connection to hot/cold isolation valves, test operation.  
Low/Unequal - Cold - Connect in-line flow control valve (supplied).  
Recommend additional isolation valve be fitted to hot inlet (not supplied)

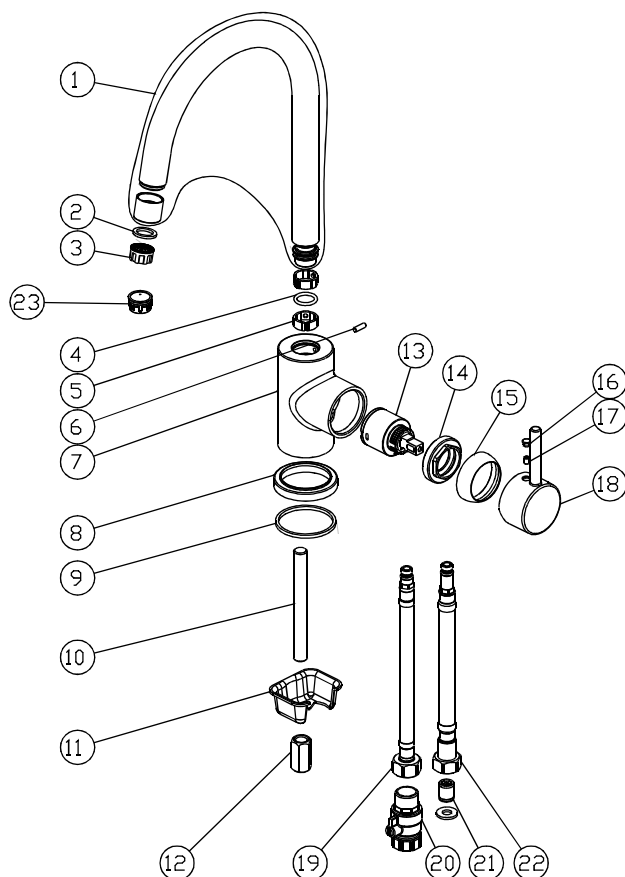
#### Low/Unequal Pressure Adjustment

1. Turn cold flow control valve to fully off.
2. Set the lever into mid position and full on.
3. When maximum hot water temperature is achieved.
4. Adjust cold flow control valve to desired mixed water temperature.

#### WELS FLOW CONTROL

1. Mixer comes complete with low/unequal flow stream straightener factory fitted.
2. For mains pressure operation replace stream straightener with supplied regulator.

#### EXPLODED VIEW



Item	Description	P/N
1	Spout	ATBP0317
2	Washer	CTWR0021
3	Regulator	CTQP0054
4	O-Ring	CTRR0181
5	Clip	CTRP0081
6	Screw	CTST0233
7	Body	CTYB0644
8	Flange	CTDZ0074
9	Washer	CTWR0114
10	Screw	CTST0259
11	Anchor Kit	CTLT0015
12	Nut	CTNB0344
13	Cartridge	ATBA0161
14	Retainer	CTKB0058
15	Half Dome	CTCB0718
16	Cap	CTCP0072
17	Screw	CTST4101
18	Handle	CTHZ0254
19	Hose	ATBP0331
20	Ball Valve	ATBA0437
21	Check Valve	ATBA0243
22	Hose	ATBP0324
23	Aerator	ATBX0072

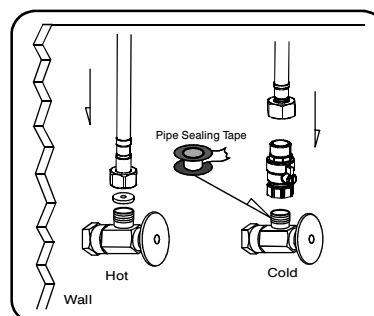


Figure 1

**TO THE INSTALLER:  
TWISTING OR STRETCHING OF FLEXIBLE HOSES DURING INSTALLATION MAY RESULT IN FAILURE AND VOID WARRANTY ISOLATE MIXER BEFORE HYDROSTATIC TEST, FAILURE TO COMPLY WILL VOID WARRANTY.  
HOSES ARE PERMANENTLY FIXED TO THE BODY.**

# ELEMENTi

## UNO KITCHEN MIXER CP, NO PULL DOWN

### GUARANTEES

Robertson offers 5 years guarantee on ceramic cartridges and other material excluding washers, o-rings and other perishable components.

Where the product fails within the warranty period we offer a free replacement or replacement part (or nearest equivalent) or to repair the failed product.

This guarantee is transferable – it applies to the product not the purchaser provided proof or purchase details are passed on to the new owner. This guarantee does not affect your statutory rights.

Products must be installed, used and cared for in line with product guidelines, our fixing instructions and building regulations.

In addition to specific guarantees provided, all products imported and sold by Robertson are, to the extent applicable and guaranteed in accordance with the durability clauses of the New Zealand Building regulations and the Consumer Guarantees Act.

Some product warranties may be effected by misuse or local conditions eg. Adverse cleaning products. The warranty and guarantees given by Robertson may be void where repair work is carried out by persons not specifically authorised to carry out such work by Robertson.

The above guarantees apply only to products imported and sold by Robertson. These guarantees do not cover products sold by Robertson under any other agency company or brand name.

### IMPORTANT:

#### **Products must be inspected prior to installation.**

Please ensure that all products purchased from Robertson are inspected prior to installation. Any suspected defect in a product must be notified to Robertson as soon as possible after discovery. Should any defects be found do not install. Return the product to the point of purchase for a replacement. If a product is installed despite a fault having been identified prior to installation, Robertson will not accept any liability for the cost of the labour to remove and install any replacement product.

### Warranty Conditions

This warranty will apply only under all of the following conditions:

- The item has been installed by a licensed plumber
- The item has been installed as per the conditions of the recommend use
- Failure is due to a fault in the manufacture of the product
- Proof of purchase (including the date of purchase) is provided
- The installation of the product is in accordance with the instructions provided

This warranty does not cover products purchased as an ex-display without being fully checked and tested for sale by the manufacturer.

This warranty does not include faults caused by:

- Unsuitable or improper use.
- Incorrect installation or installation not in accordance with the instructions provided.
- Installation or part installation by the purchaser or any person other than a LICENSED PLUMBER.
- Normal wear and tear.
- Inadequate or complete lack of maintenance.
- Chemical, electrochemical or electrical influences.
- Harsh detergents or abrasive cleaners used on product finishes.

### CLAIM PROCEDURE

For all warranty queries customers are to contact the store where the product was purchased. These details can be found on your purchase invoice.