

# ELEMENTi<sup>®</sup>

BY ROBERTSON NZ LTD

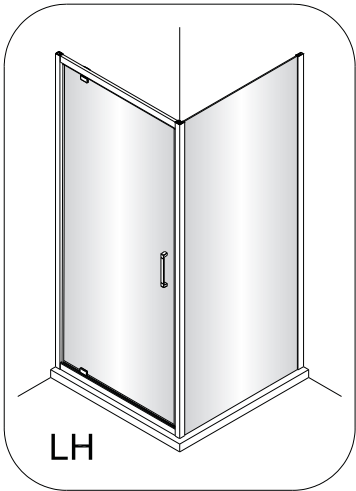
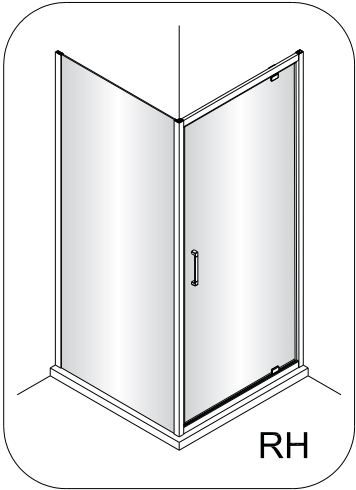
## INSTALLATION INSTRUCTIONS

SQUARE

**900 X 900**

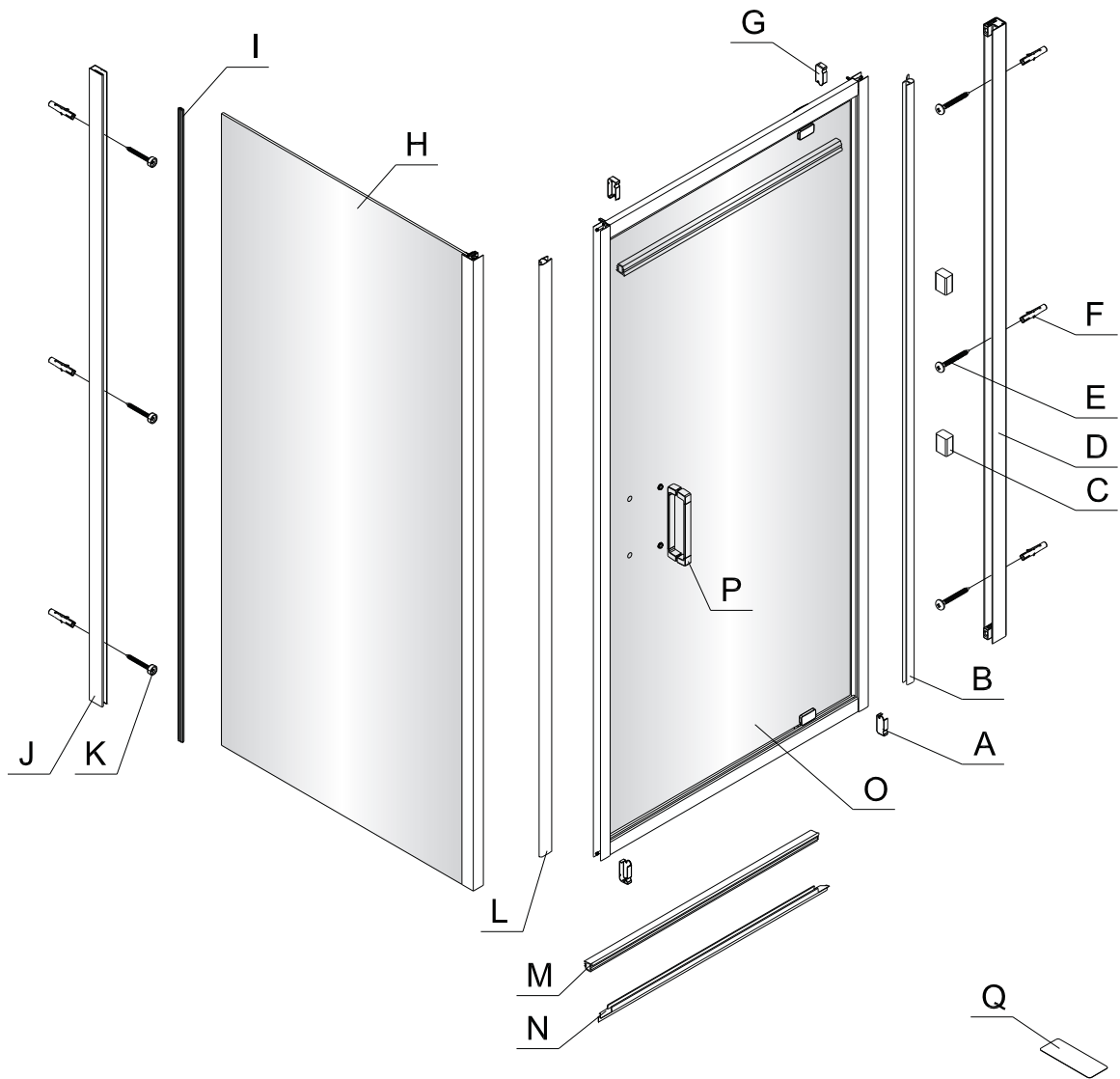
**1000 X 1000**

SHOWER DOORS/RETURN PANELS



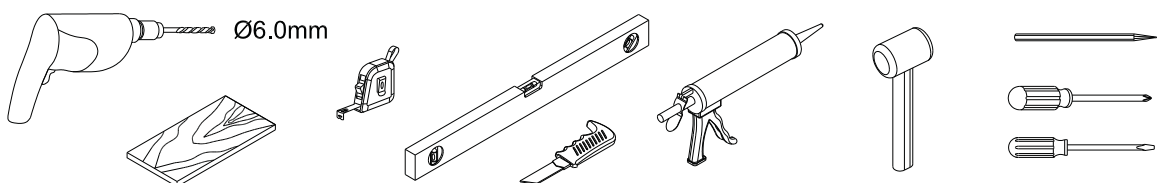
# ELEMENTI®

## INSTRUCTION SHEET 1

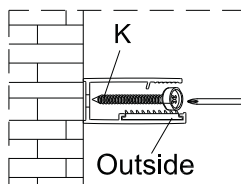
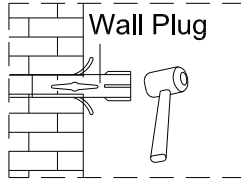
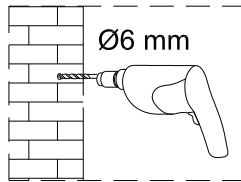
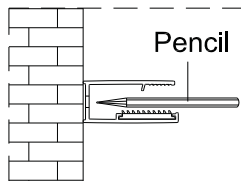
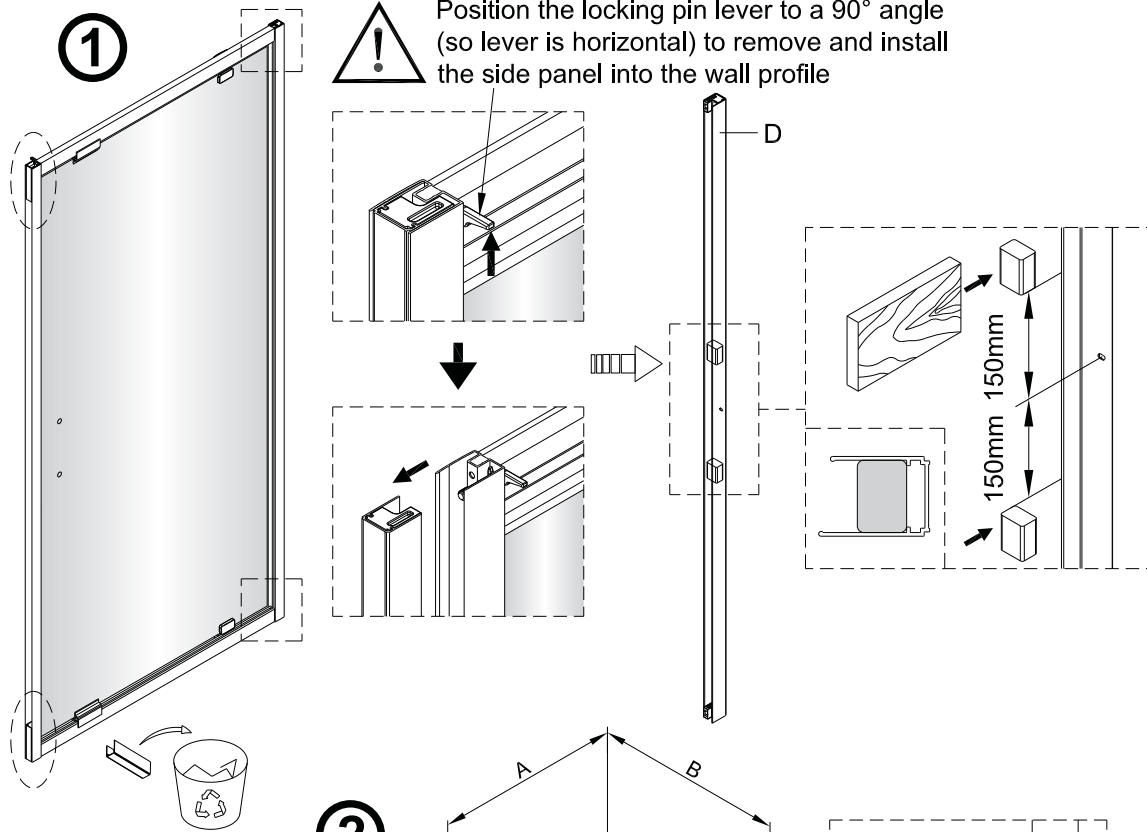


A 2X 	B 1X 	C 2X 	D 1X 	E 3X ST4X40 	F 6X 	G 2X 	H 1X 	I 1X 	J 1X 
K 3X ST4X40 	L 1X 	M 2X 	N 1X 	O 1X 	P 1X 	Q 1X 			

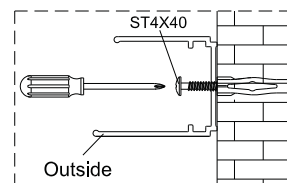
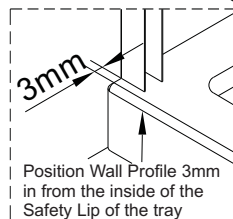
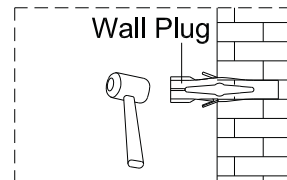
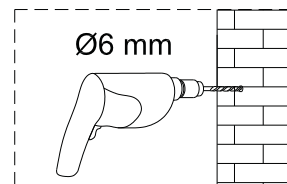
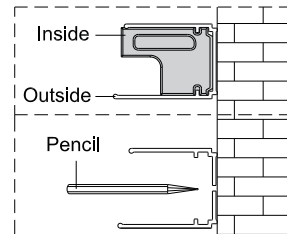
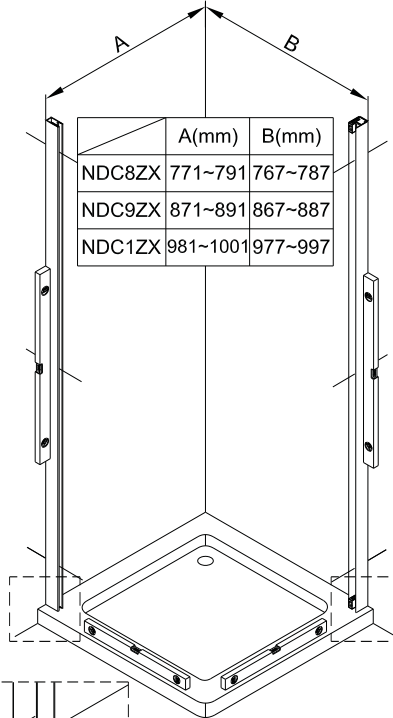
### TOOLS REQUIRED



## INSTRUCTION SHEET 2



**2**

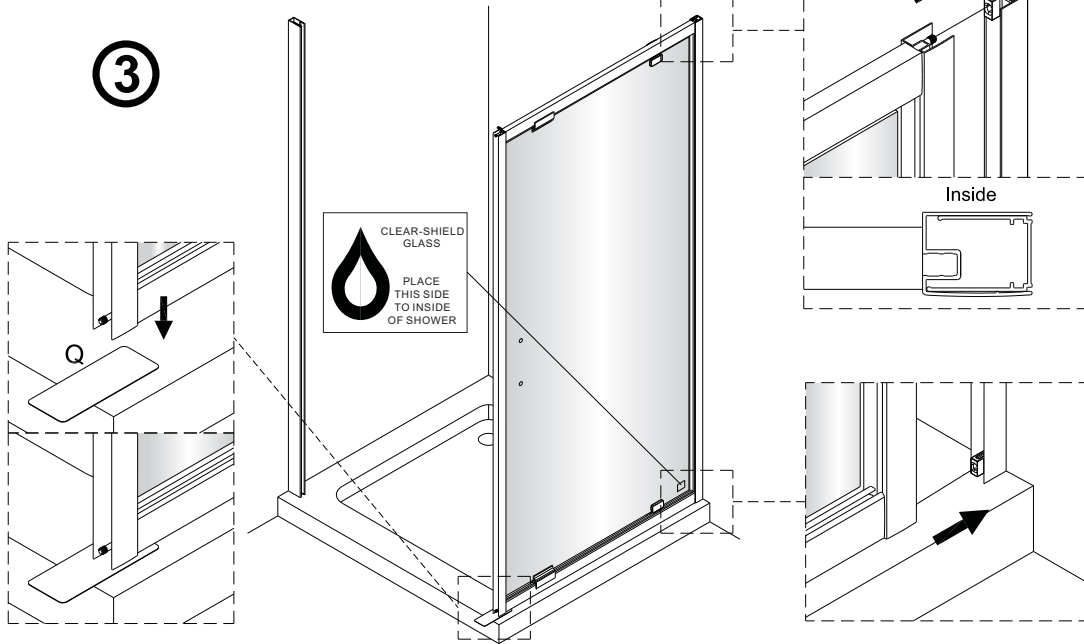


## INSTRUCTION SHEET 3

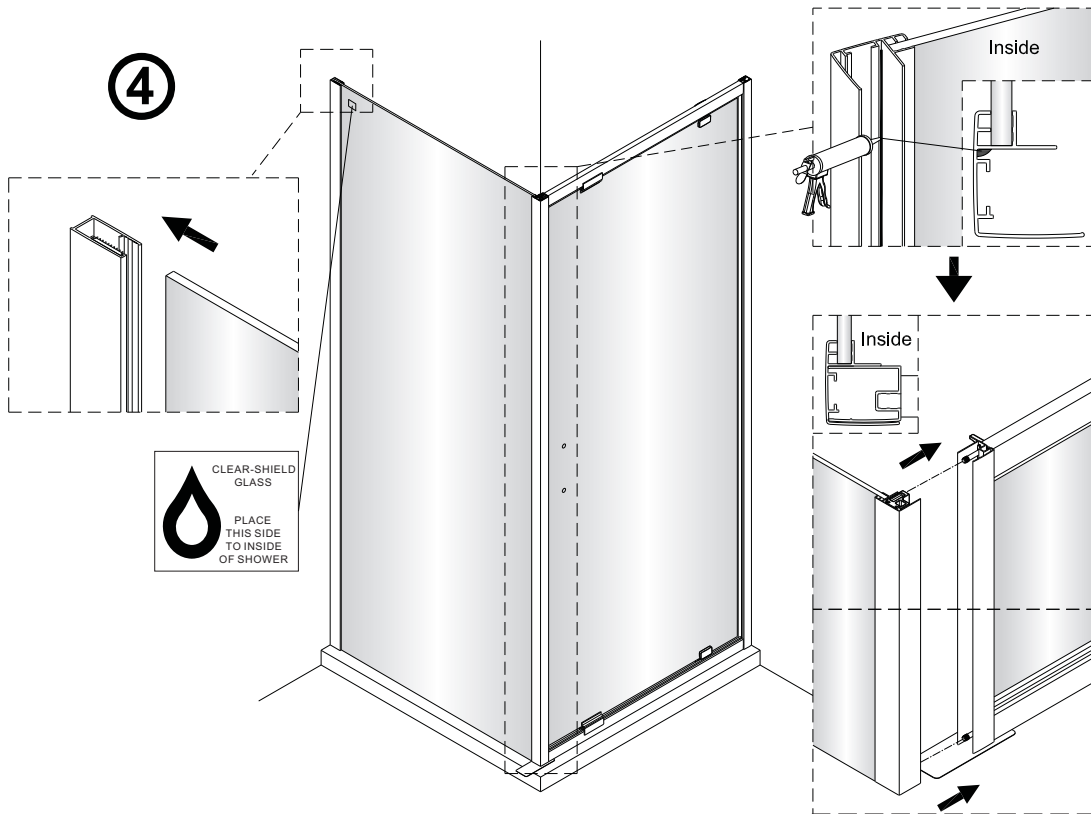


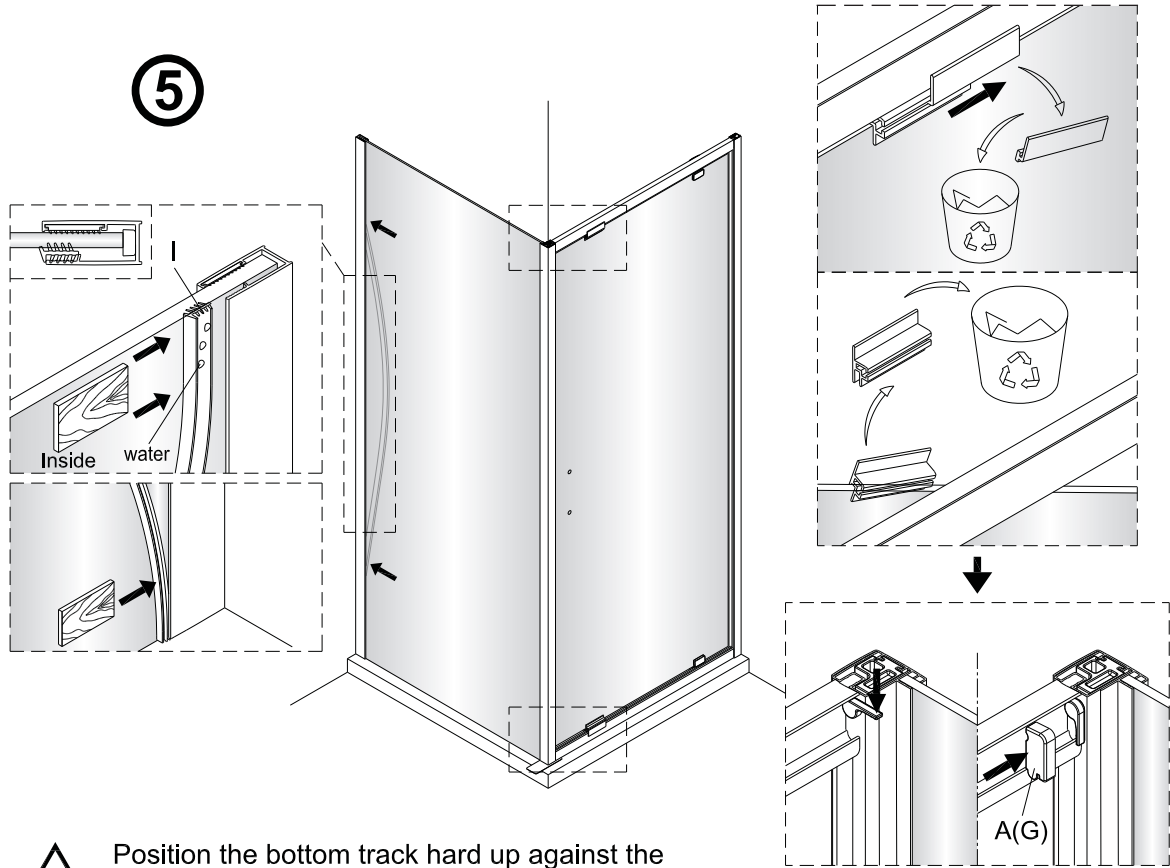
Position the locking pin lever to a 90° angle (so lever is horizontal) to remove and install the side panel into the wall profile

3

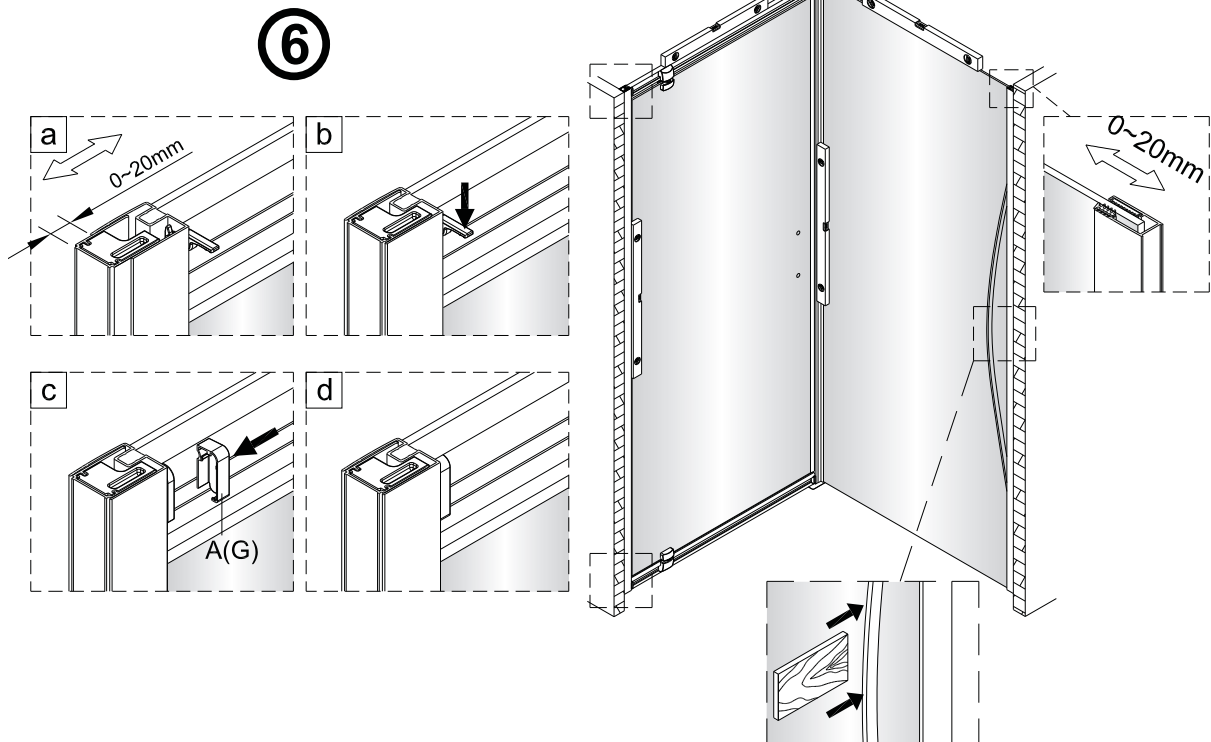


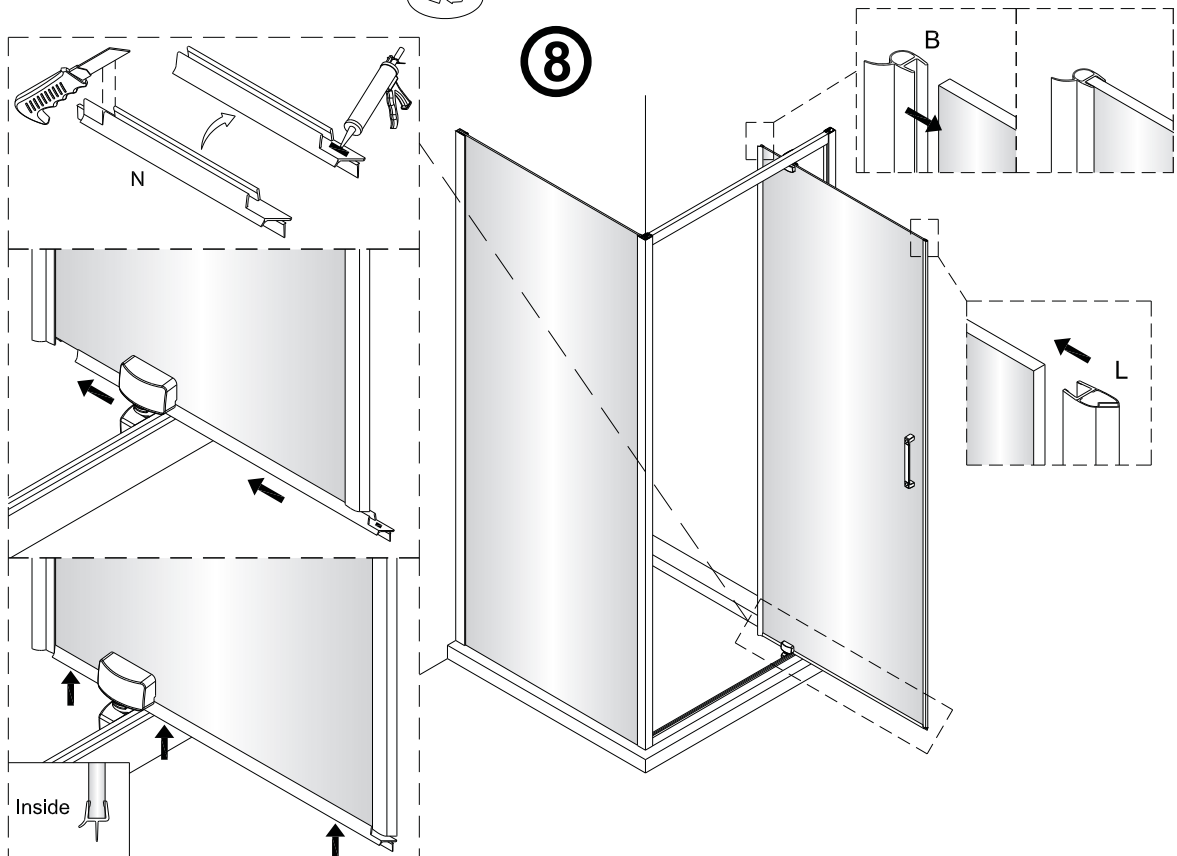
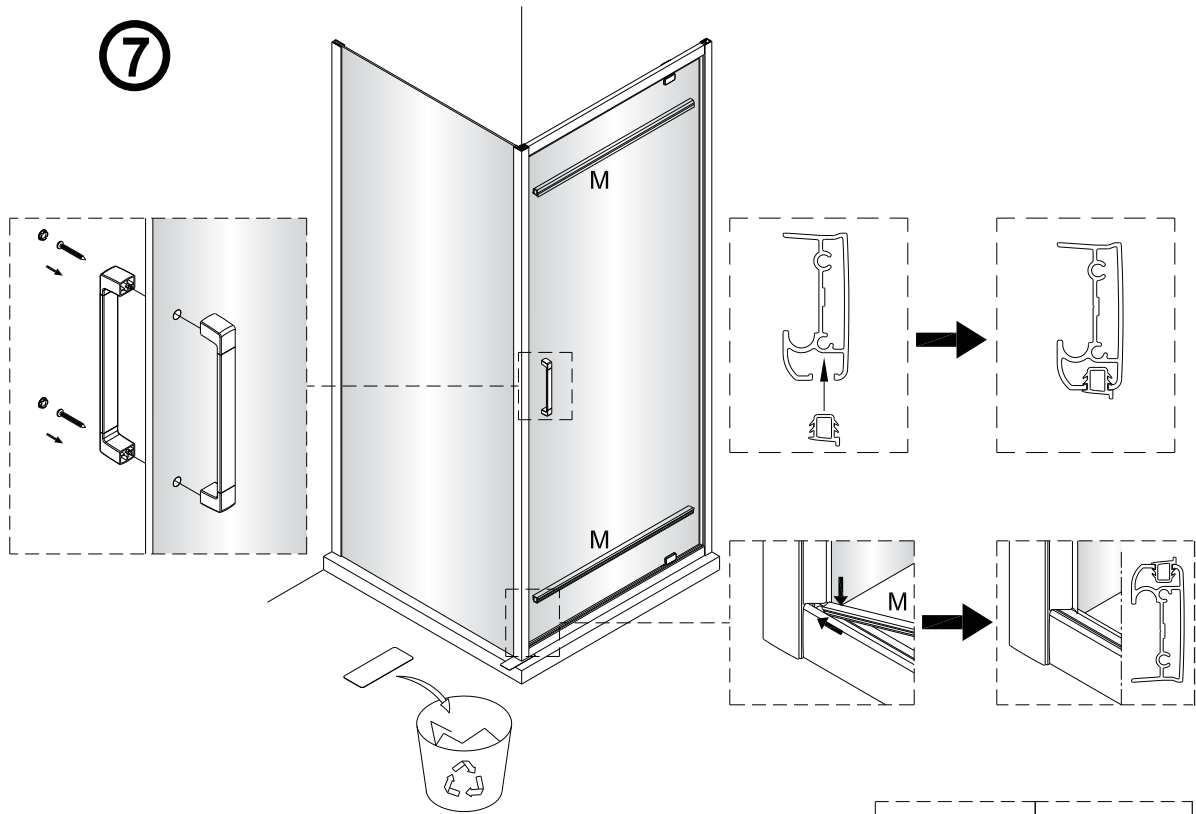
4

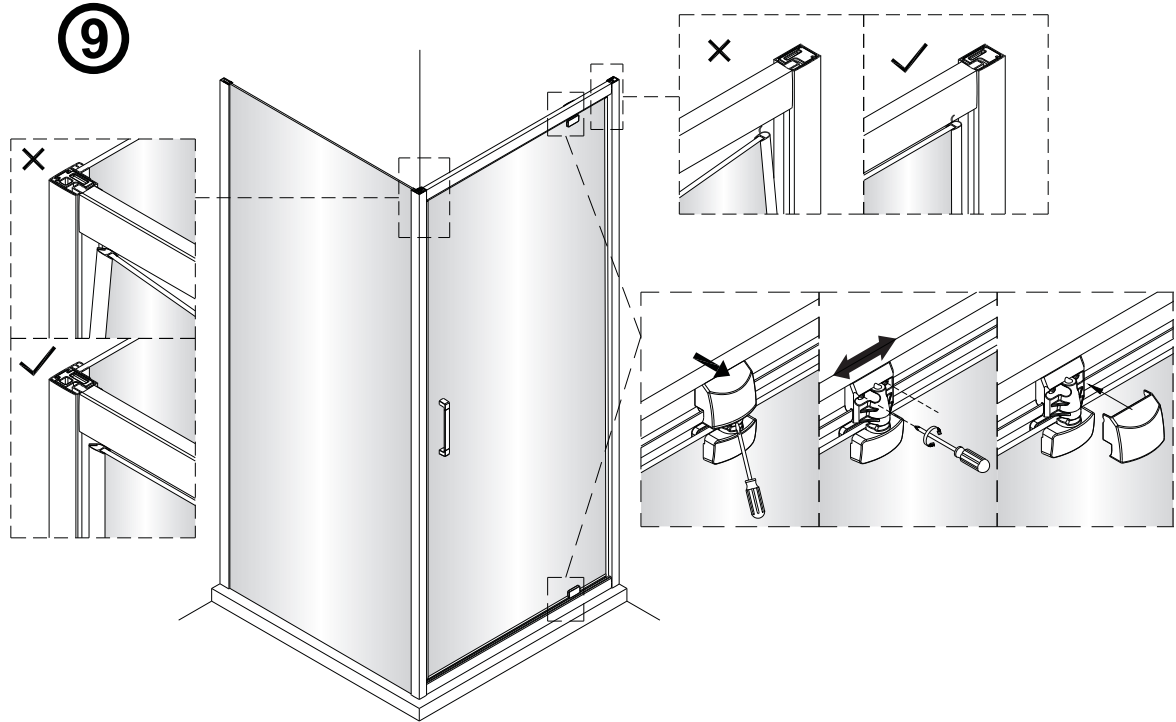




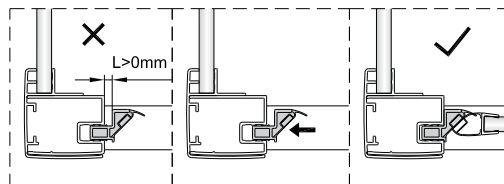
Position the bottom track hard up against the inside of the shower tray Safety Lip before setting the Locking Pins



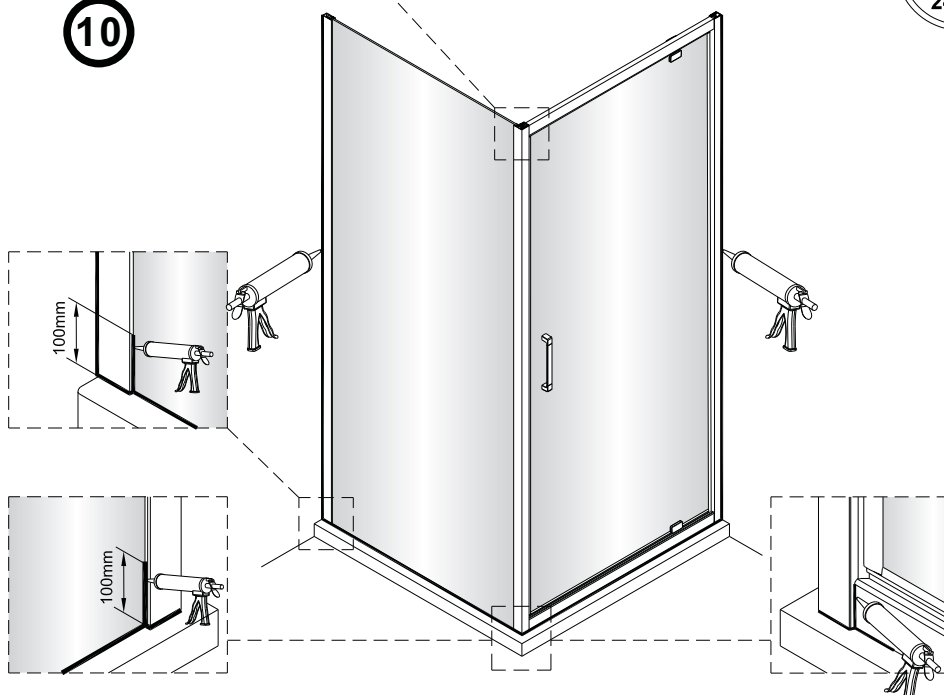




Please be noted that the magnetic strips must be installed right, or water would leak from the crack.



**10**



# OUR GUARANTEES

All Guarantees are subject to terms and conditions and available on request or can be viewed at <https://www.robertson.co.nz/warranties>

WITHOUT EXCEPTION ROBERTSON PRODUCTS ARE GUARANTEED TO MEET OR EXCEED THE STANDARD REQUIREMENTS FOR THE NEW ZEALAND BUILDING CODE.

*\*This excludes commercial installations unless stated.*

*In addition to specific guarantees provided, all products imported and or sold by Robertson are, to the extent applicable, guaranteed in accordance with the Durability Clauses of the New Zealand Building regulations and Consumer Guarantees Act.*

*Our guarantees apply only to products imported and sold by Robertson. These guarantees do not cover products sold by Robertson under any other agency, company or brand name.*

*As part of our ongoing commitment to continuous improvement, Robertson NZ Ltd reserves the right to make changes to its products at any time.*

*As this guarantee may not cover the cost of removal or installation, all products must be checked to see they are in good order and condition and fit for the intended purpose prior to installation.*

*Robertson reserves the right to determine any issue or uncertainty in connection with the warranty.*

*Robertson reserves the right to repair and or replace the defective product and or component at its discretion or nearest equivalent if a product needs to be replaced.*

*All Warranty covered repair work is to be performed by a Robertson representative and or authorised service agent or plumber who has received an authorisation number to attend the job.*

*Proof of purchase must be provided for all warranty claims.*

*This warranty is personal to the first end user and is not transferable unless stated.*

## WARRANTY CONDITIONS

*This warranty will apply only under all of the following conditions:*

- *The item has been installed by a licensed plumber*
- *The item has been installed as per the conditions of the recommend use*
- *Failure is due to a fault in the manufacture of the product  
Proof of purchase (including the date of purchase) is provided*
- *The installation of the product is in accordance with the instructions provided*
- *This warranty does not cover products purchased as an ex-display*

*This warranty does not include faults caused by:*

- *Unsuitable or improper use*
- *Incorrect installation or installation not in accordance with the instructions provided*
- *Installation or part installation by the purchaser or any person other than a LICENSED PLUMBER*
- *Normal wear and tear*
- *Inadequate or complete lack of maintenance*
- *Chemical, electrochemical or electrical influences*
- *Harsh detergents or abrasive cleaners used on product finishes*

## CARE AND MAINTAINANCE

*Where your tapware remains dry in use, a soft cloth should be used to remove surface dust. Alternatively, a wipe over with warm soapy water is all that is required to maintain the finish in perfect condition for a lifetime of use, the surface duration depends on the attention and care by which they are handled by users. Deterioration of surface finishes due to use of cleaning agents containing acids or abrasive substances will not be covered under warranty.*

## CLAIM PROCEDURE

*For all warranty queries customers are to contact the store where the product was purchased. These details can be found on your purchase invoice.*

# CLEANING AND MAINTENANCE

*To clean glass simply squeegee and walk away, No need for harsh abrasives on the glass we have it covered with NANO glass protection. NANO glass has been specially developed using advanced NANO technology creating a non stick surface. This award winning technology makes glass easier to clean and resists staining and discolouration.*

- *Clean regularly to stop build up of dirt and scale using warm, soapy water.*
- *Occasional use of mild bathroom limescale removers is acceptable. Use in accordance with manufacturers instructions, rinsing off immediately with plenty of water.*

*NOTE: Do not use cleaners containing the following chemicals: Abrasive cleaners, Alcohol, Acetone, Aniline, Bleach, Bath Salts, Bath Oils, Citrus based chemicals, Diethyl ether, Ethel acetate, Ethylene chloride, Hair dye, Isopropyl alcohol, Methyl alcohol, solvents and Toluene.*

Distributed by

**robertson**<sup>®</sup>  
BATHWARE  
— SINCE 1987 —

Ph: +64 (0)9 573 0490  
Fax: +64 (0)9 573 0495  
Email: [sales@robertson.co.nz](mailto:sales@robertson.co.nz)

**ROBERTSON.CO.NZ**