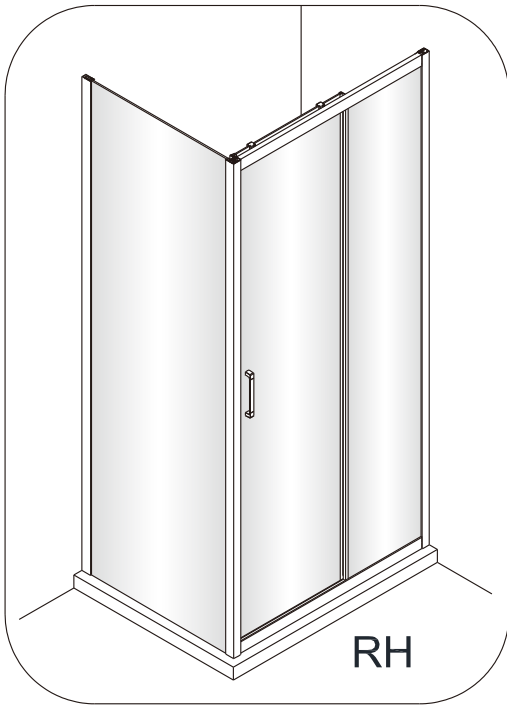


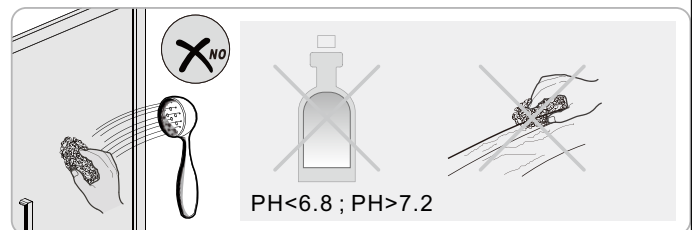
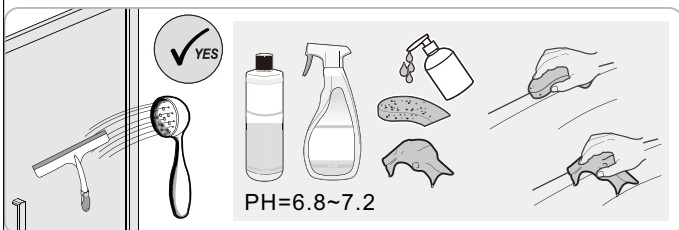
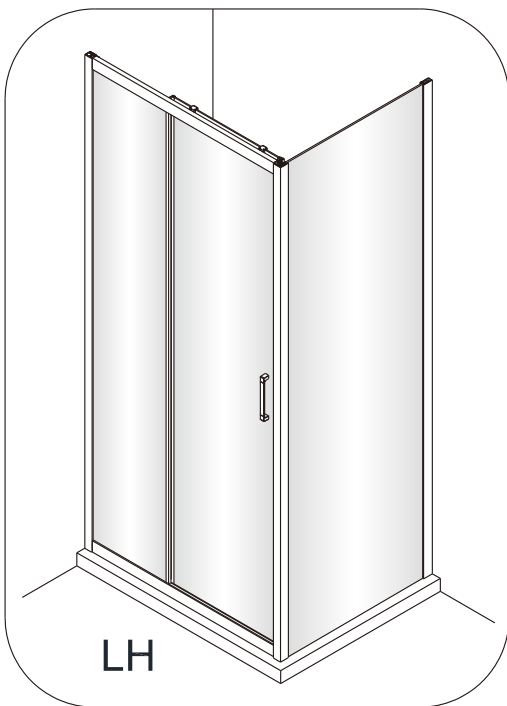
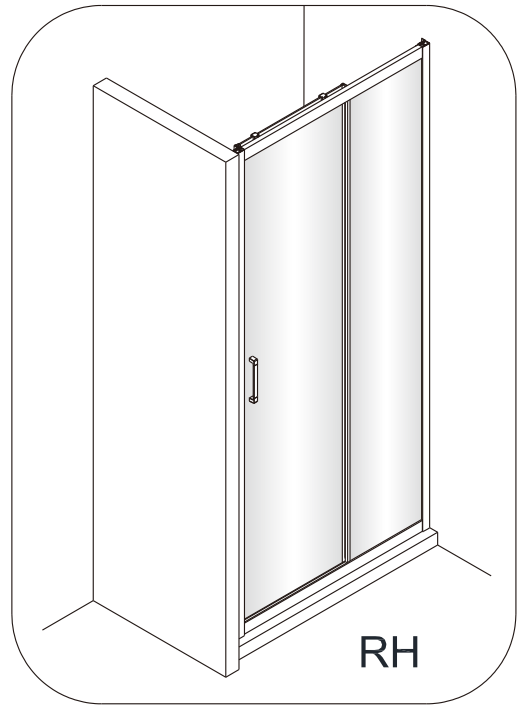
NDC9PX / NDC9PB / MB102 / MB102-B

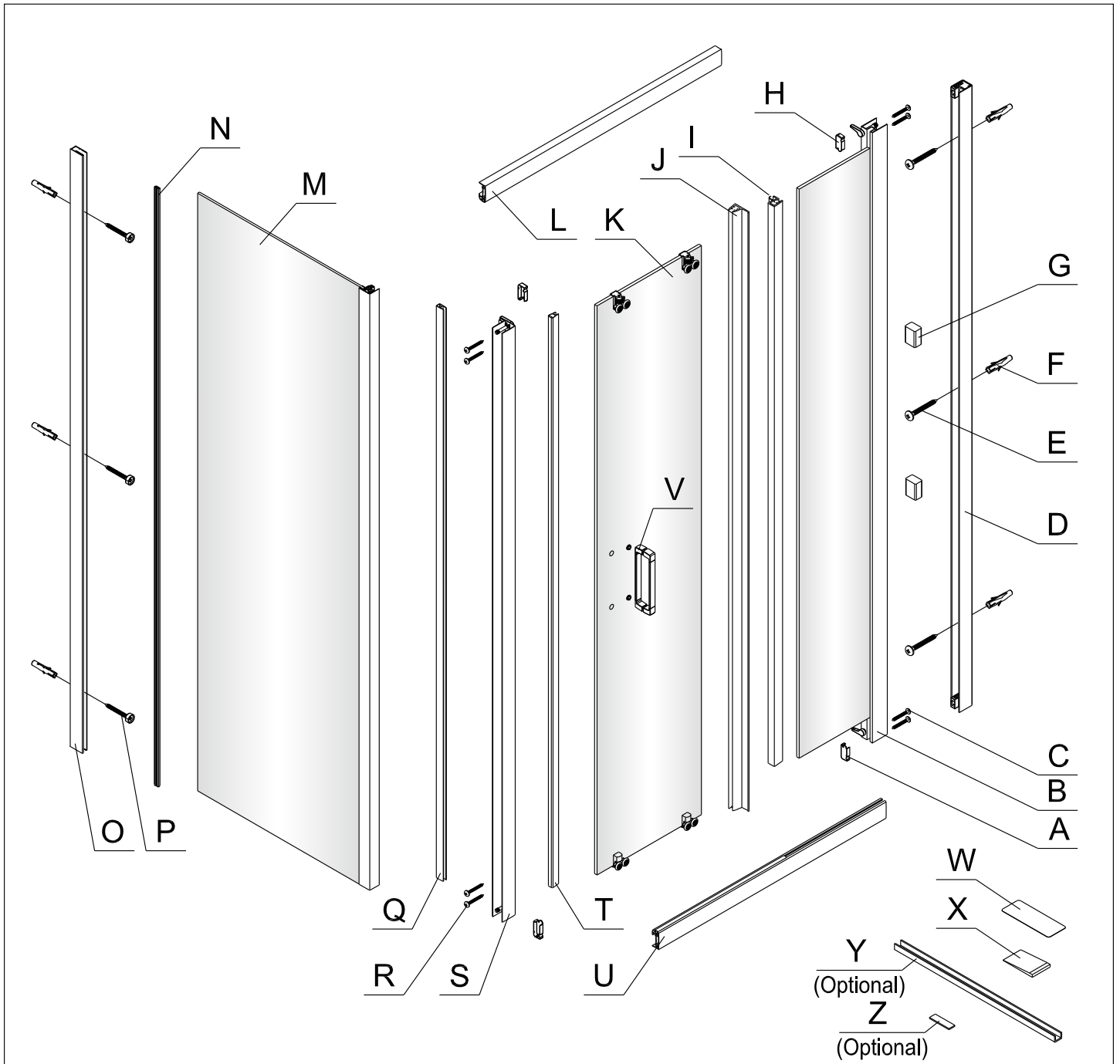
Instruction Manual

SET A

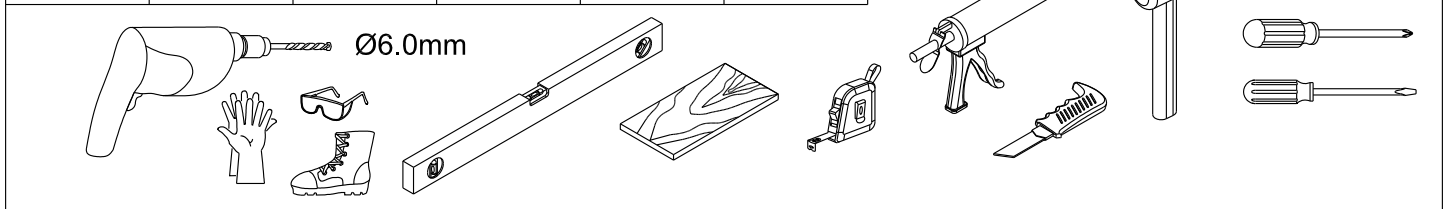


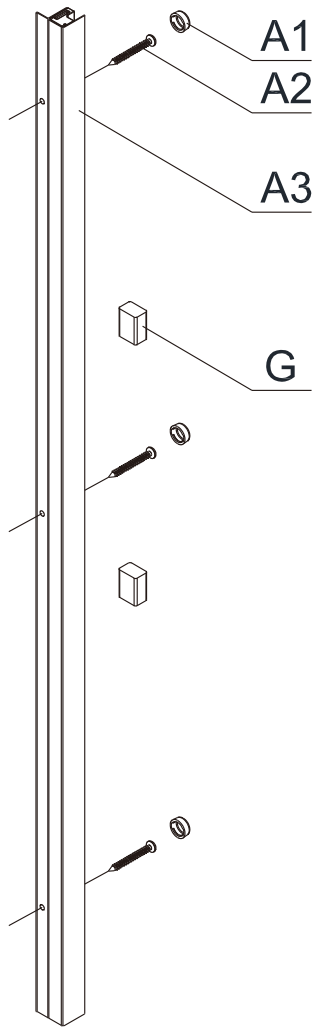
SET B





A 2X 	B 1X 	C 4X ST4X30 	D 1X 	E 3X ST4X40 	F 6X 	G 2X 	H 2X 	I 1X 	J 1X
K 1X 	L 1X 	M 1X 	N 1X 	O 1X 	P 3X ST4X40 	Q 1X 	R 	S 1X 	T 1X
U 1X 	V 1X 	W 1X 	X 4X 	Y(Optional) 1X 	Z(Optional) 1X 				



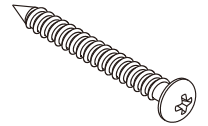


A1



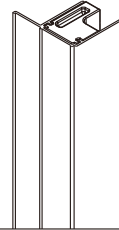
3X

A2



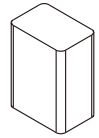
3X
ST4X40

A3



1X

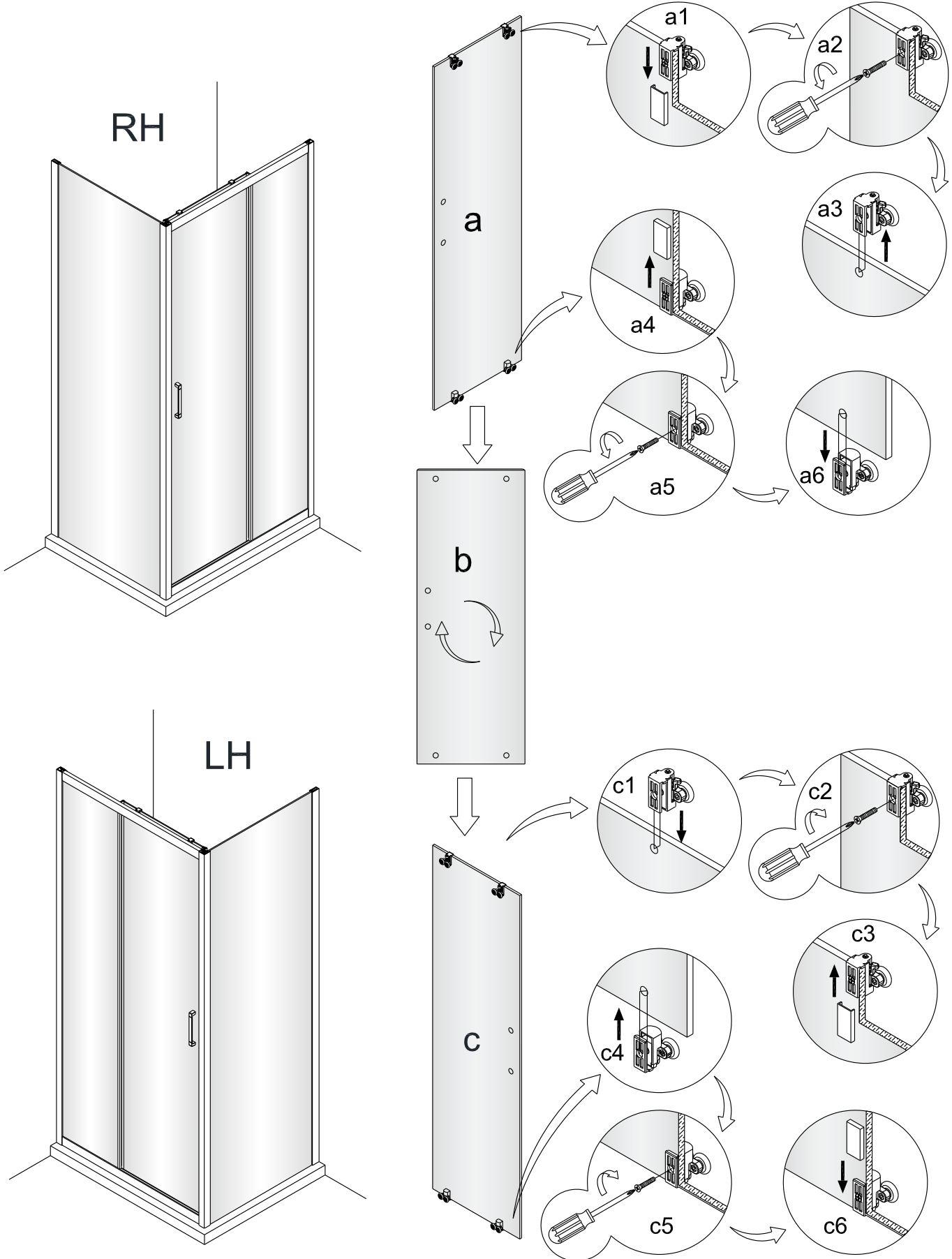
G



2X

SET A

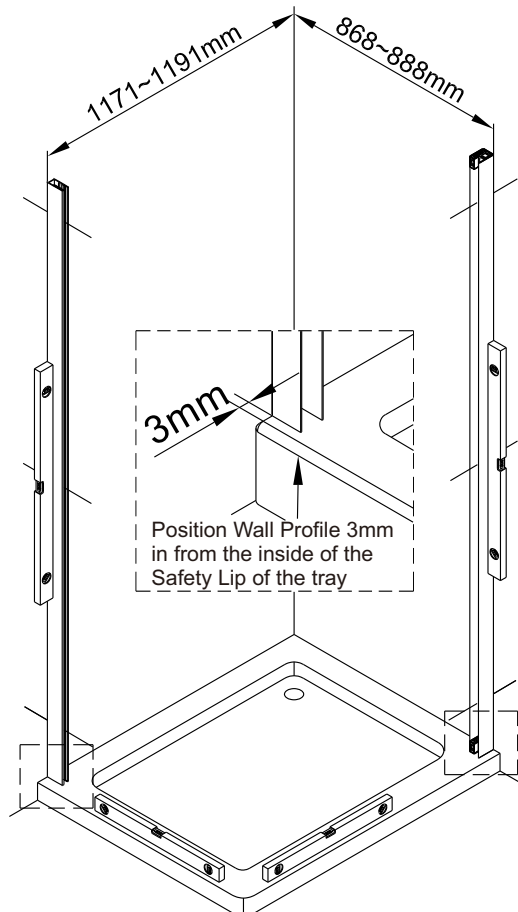
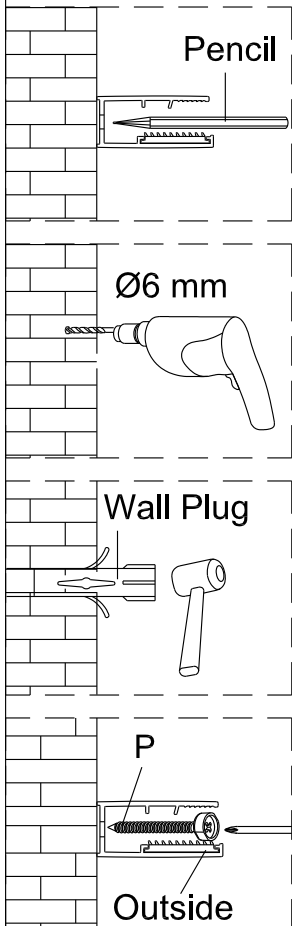
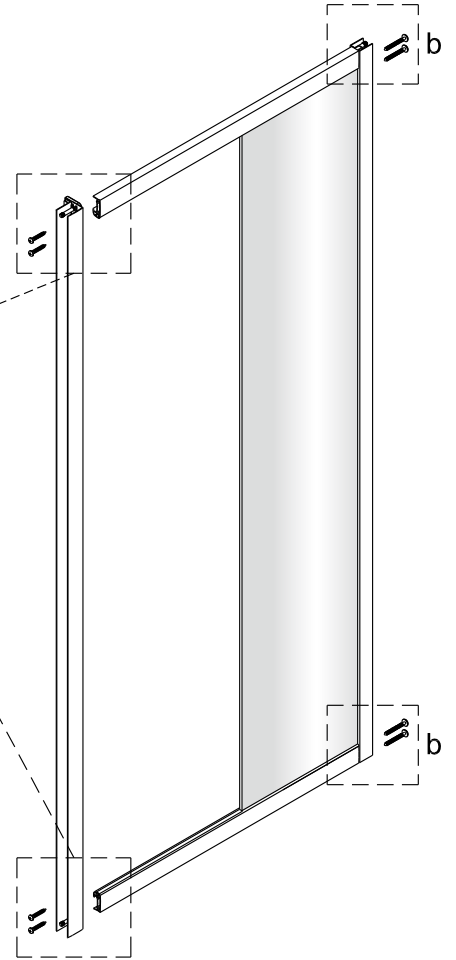
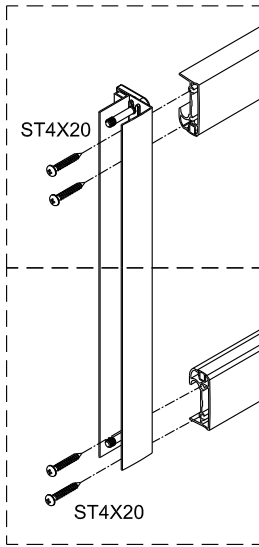
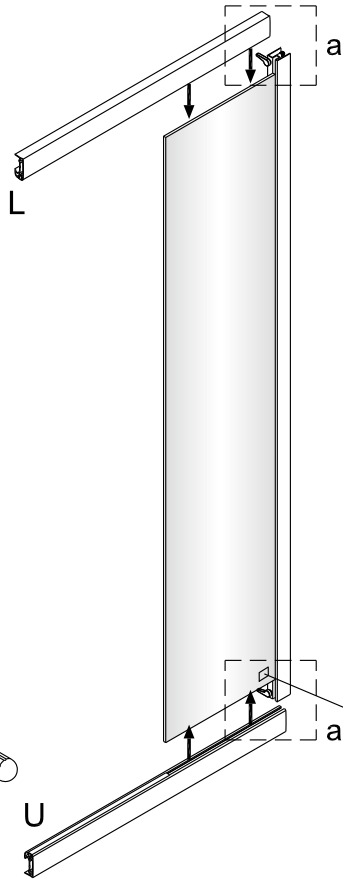
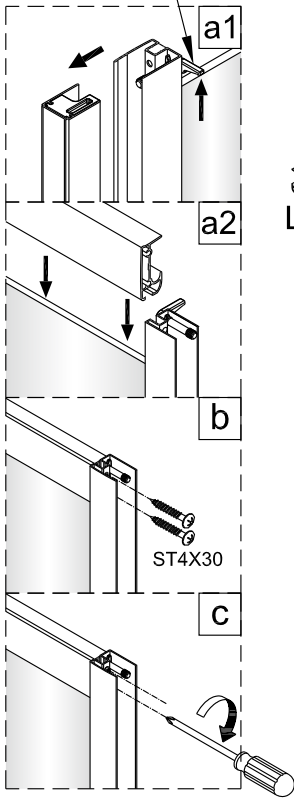
Both doors can be assembled on the right and left hand side.
We recommend to follow the drawings in case of changing the standard door disposition.



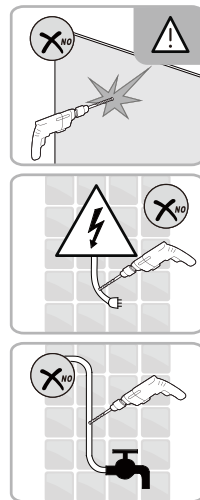
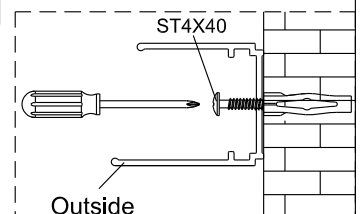
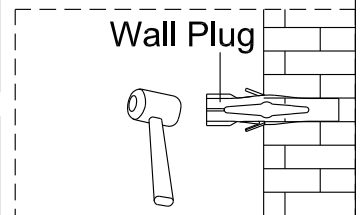
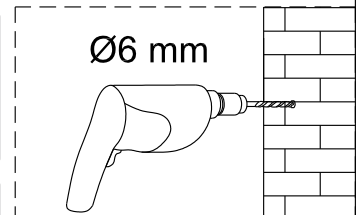
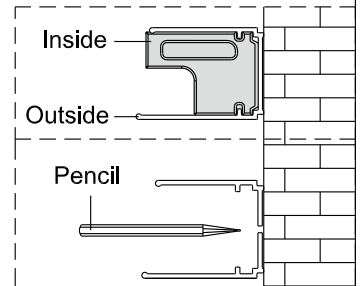


Position the locking pin lever to a 90° angle (so lever is horizontal) to remove and install the side panel into the wall profile

1



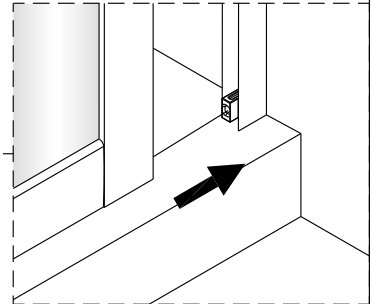
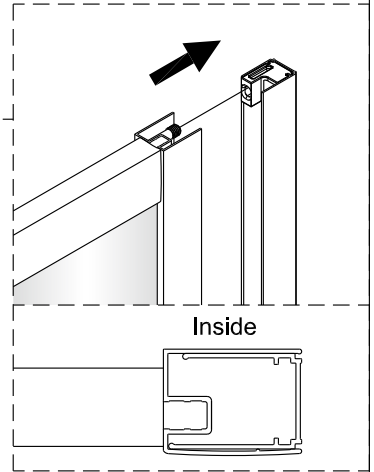
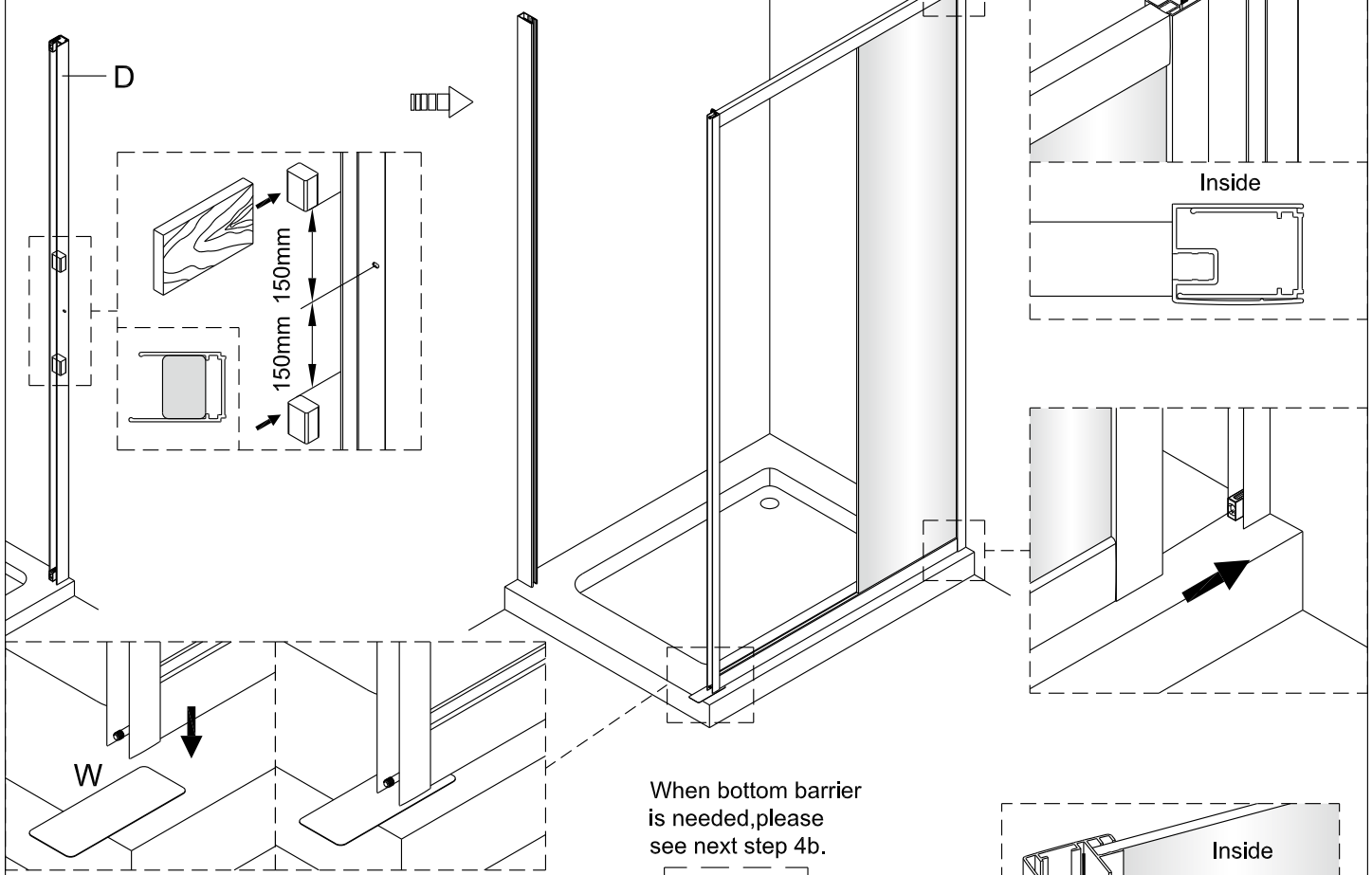
2



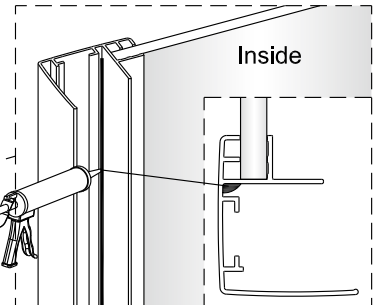
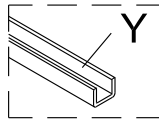
3



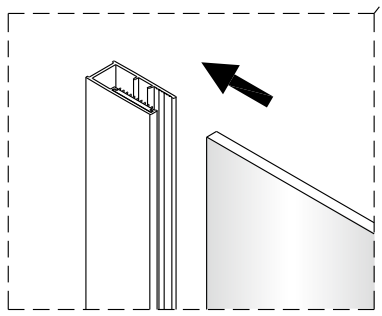
Position the locking pin lever to a 90° angle (so lever is horizontal) to remove and install the side panel into the wall profile



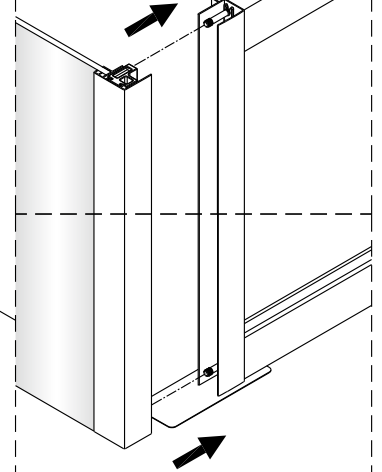
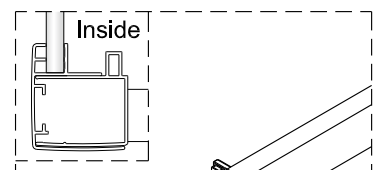
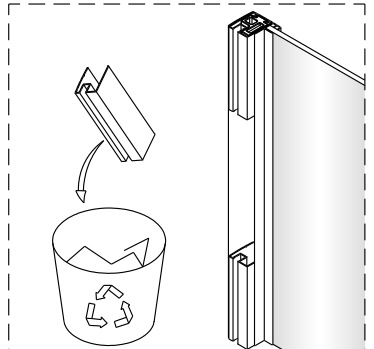
When bottom barrier is needed, please see next step 4b.

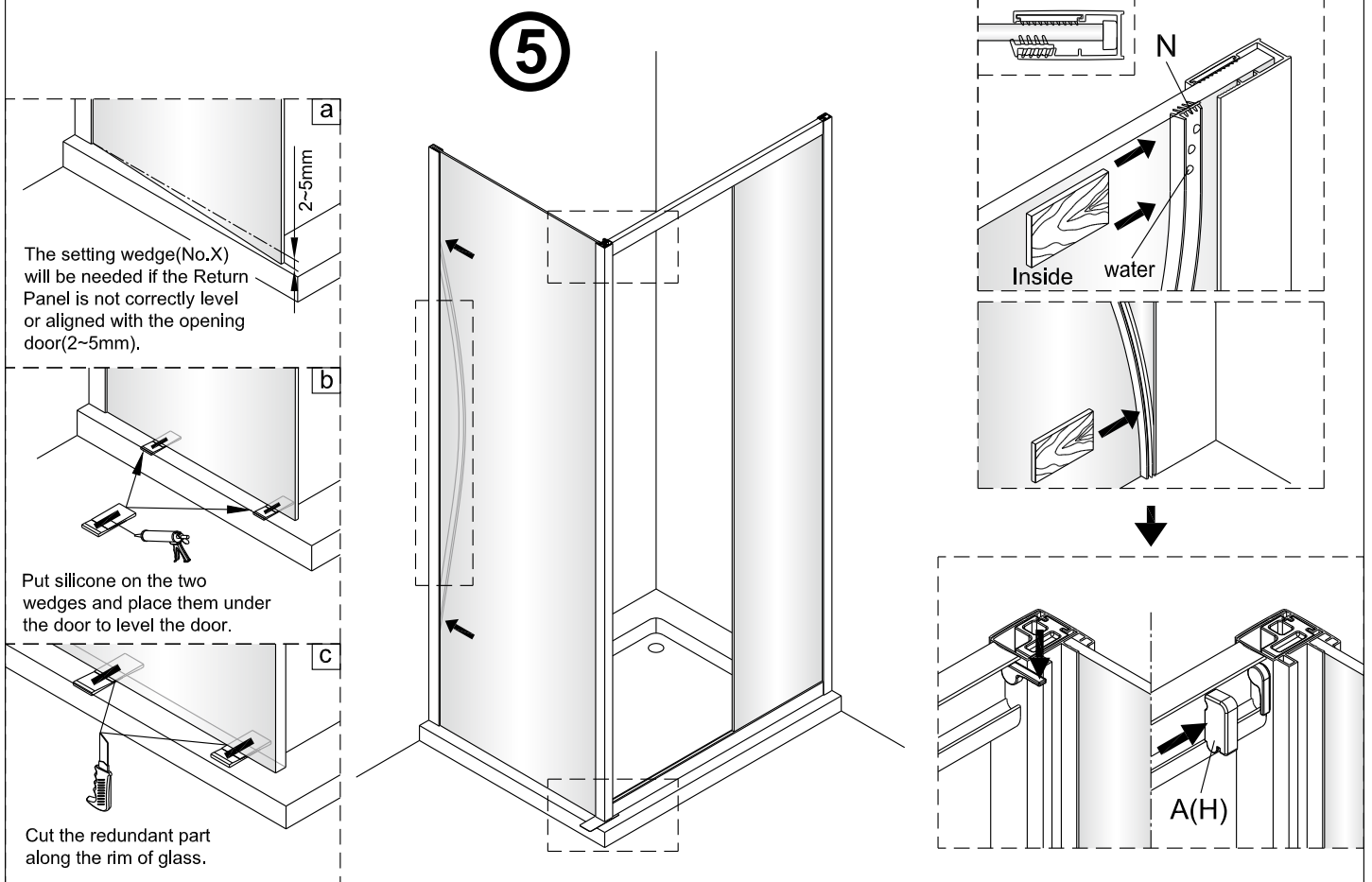
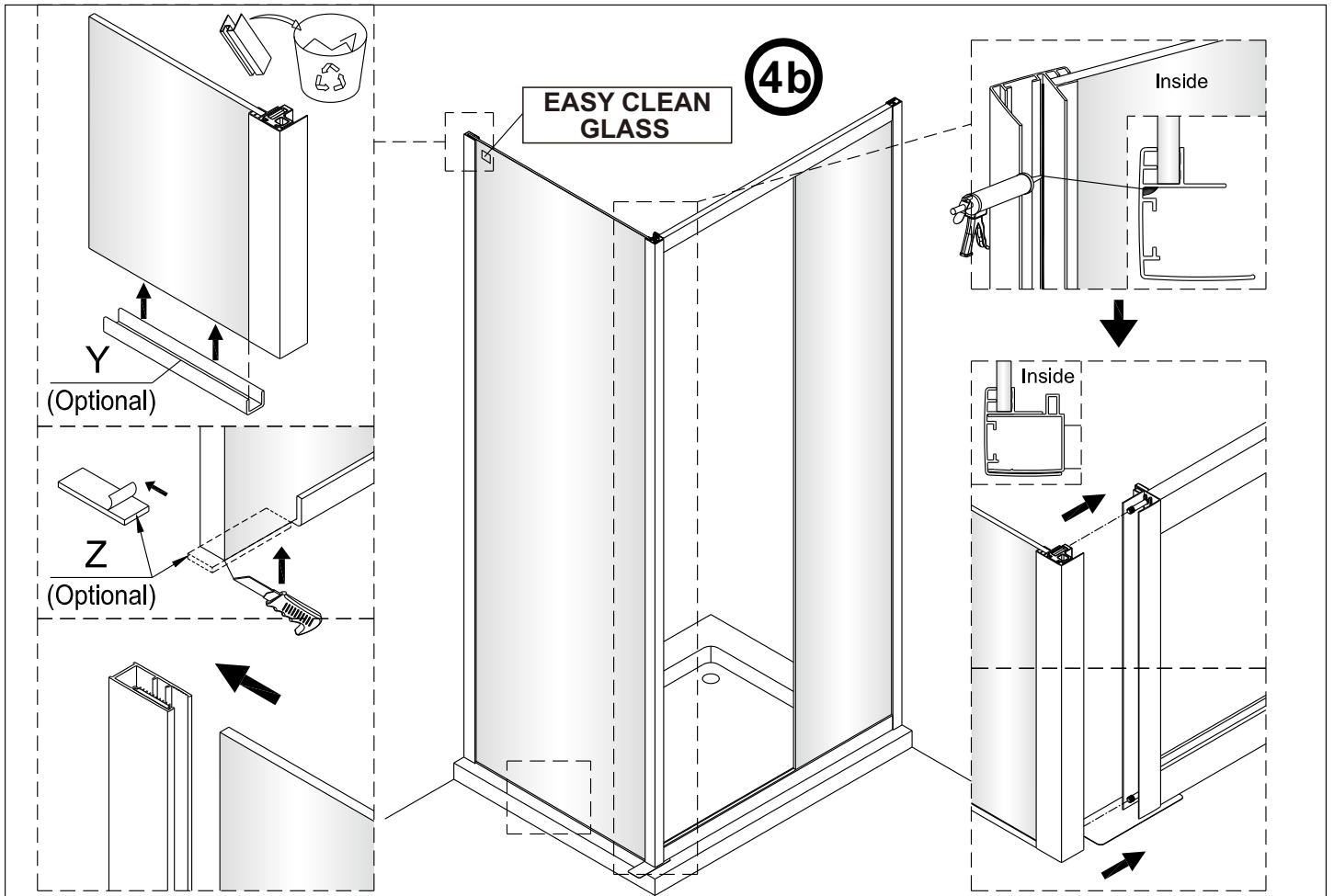


4a



EASY CLEAN GLASS

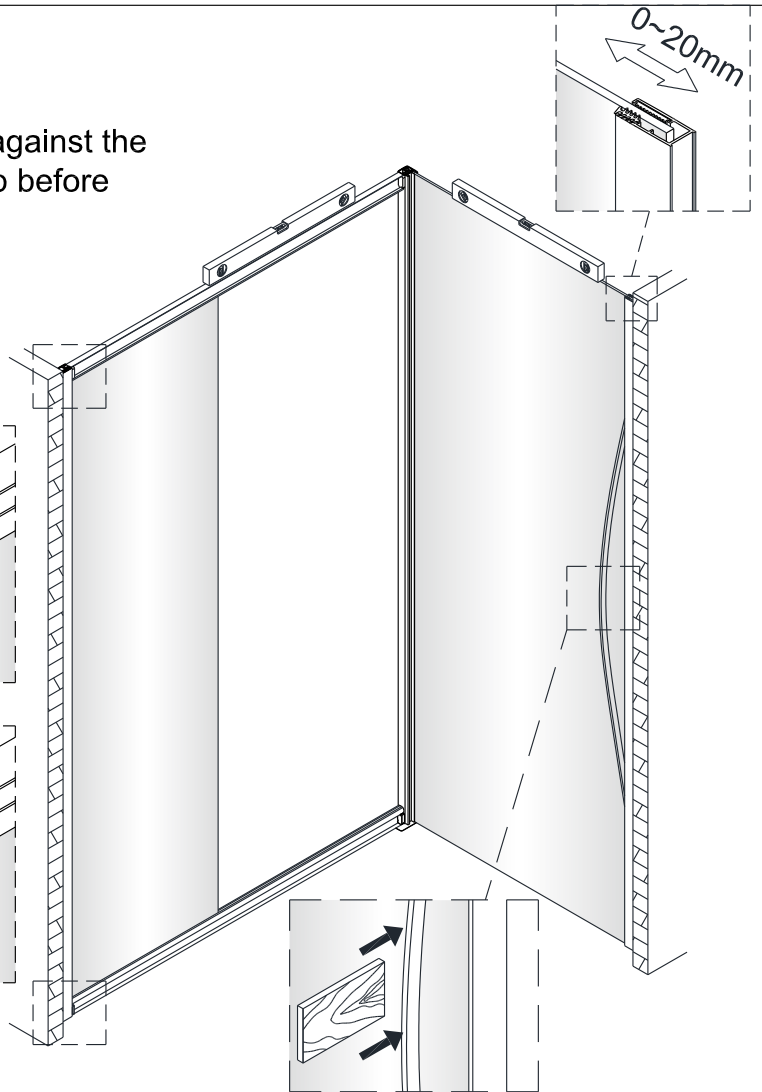
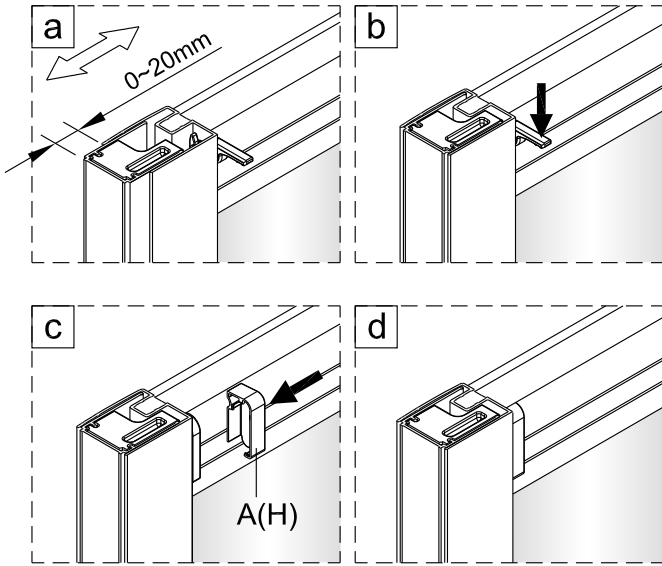




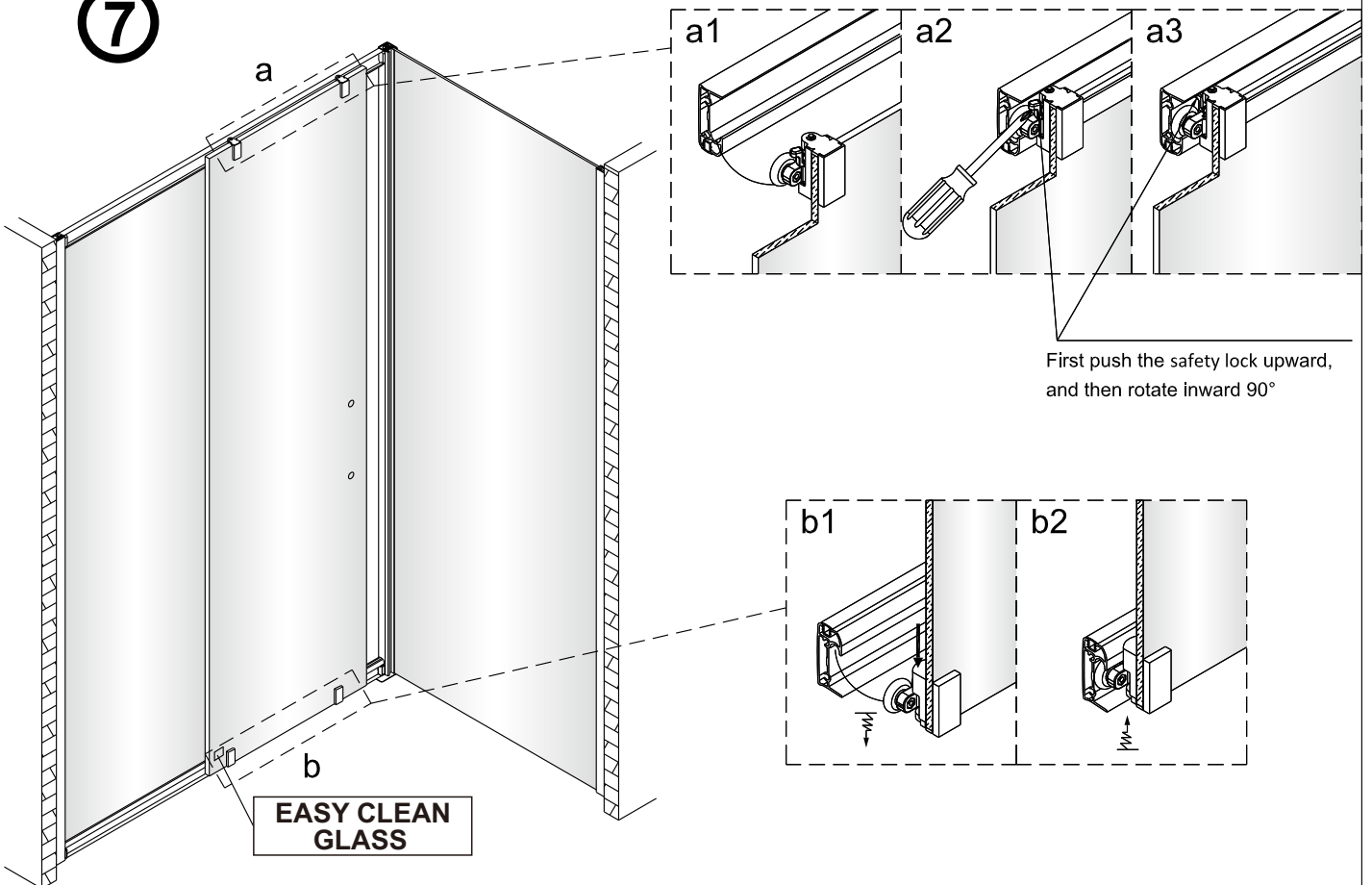


Position the bottom track hard up against the inside of the shower tray Safety Lip before setting the Locking Pins

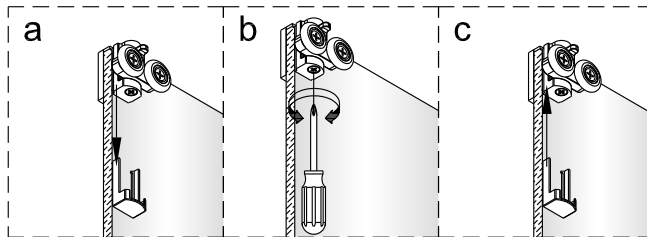
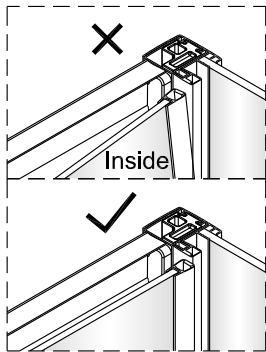
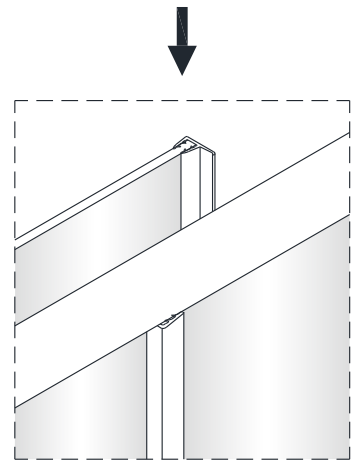
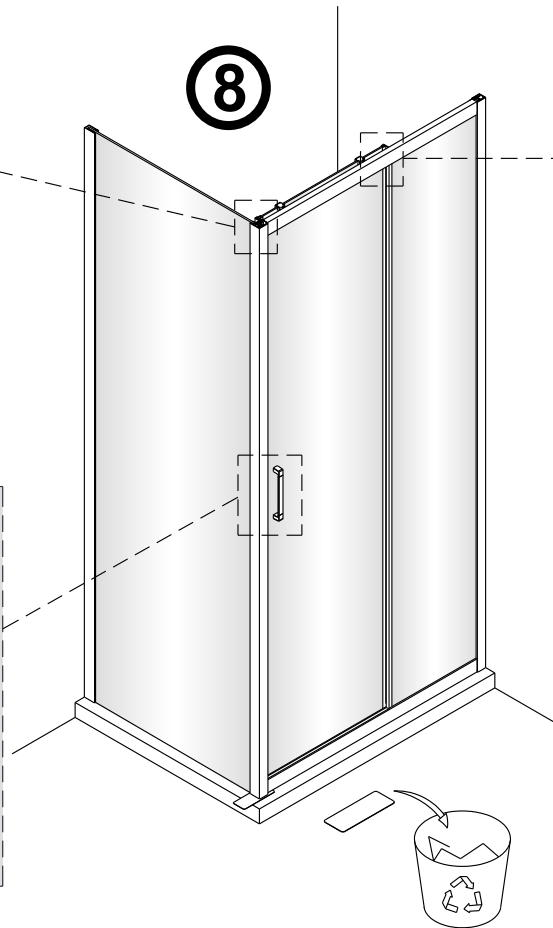
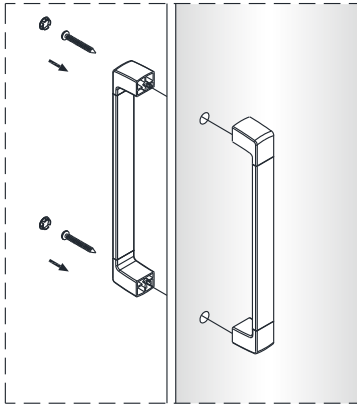
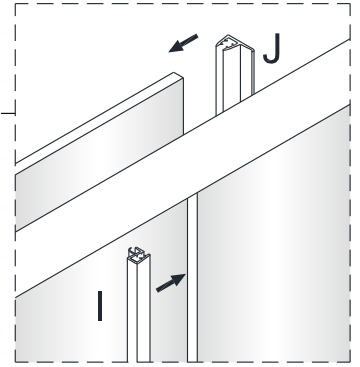
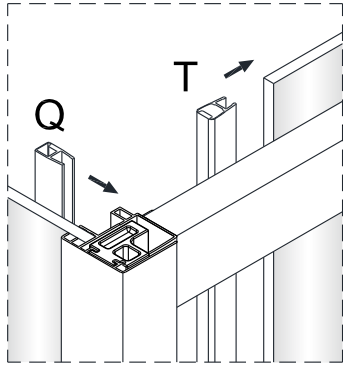
⑥



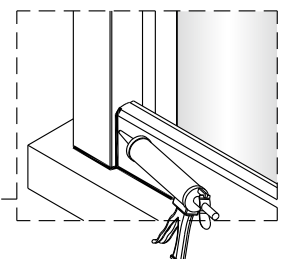
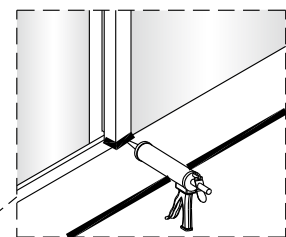
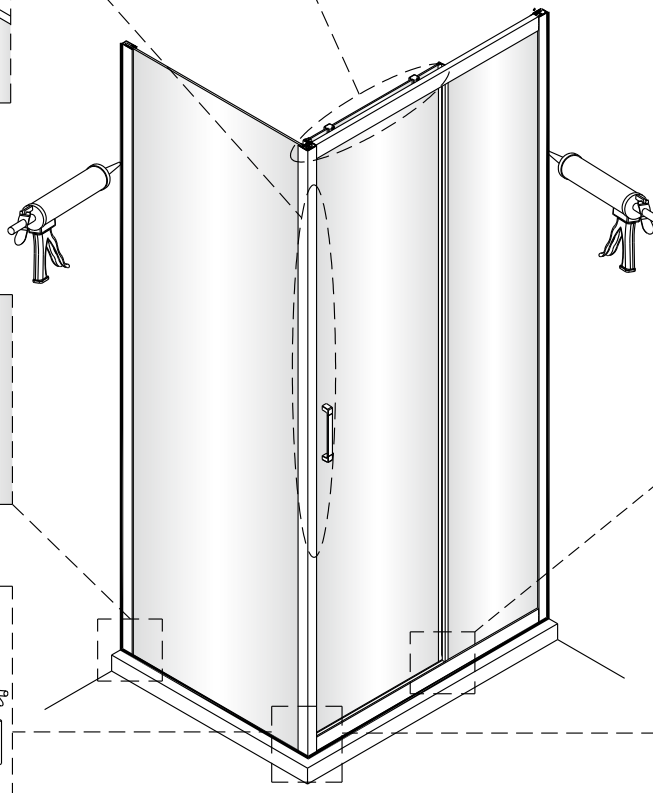
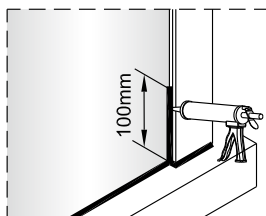
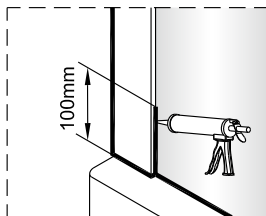
⑦



8

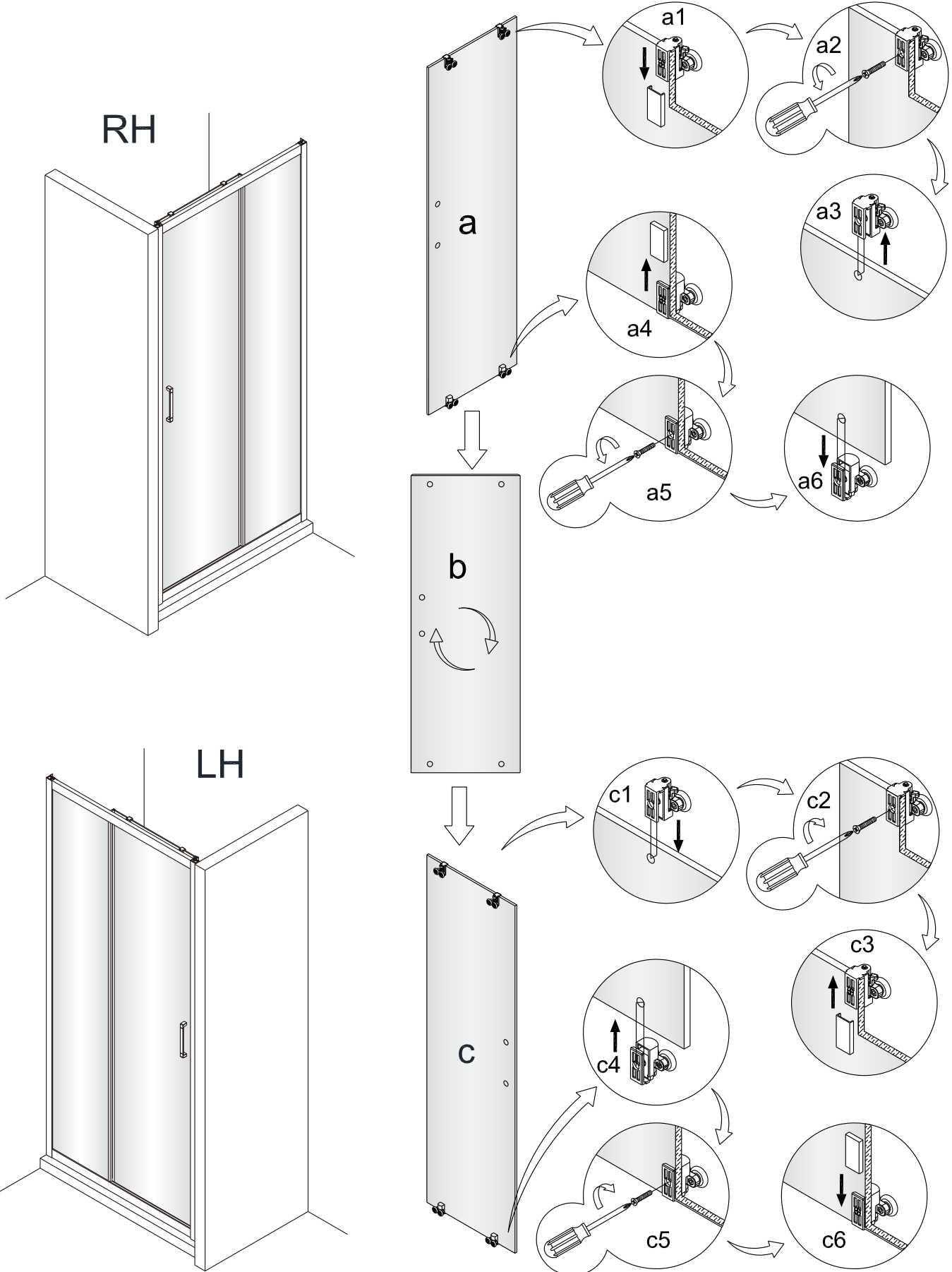


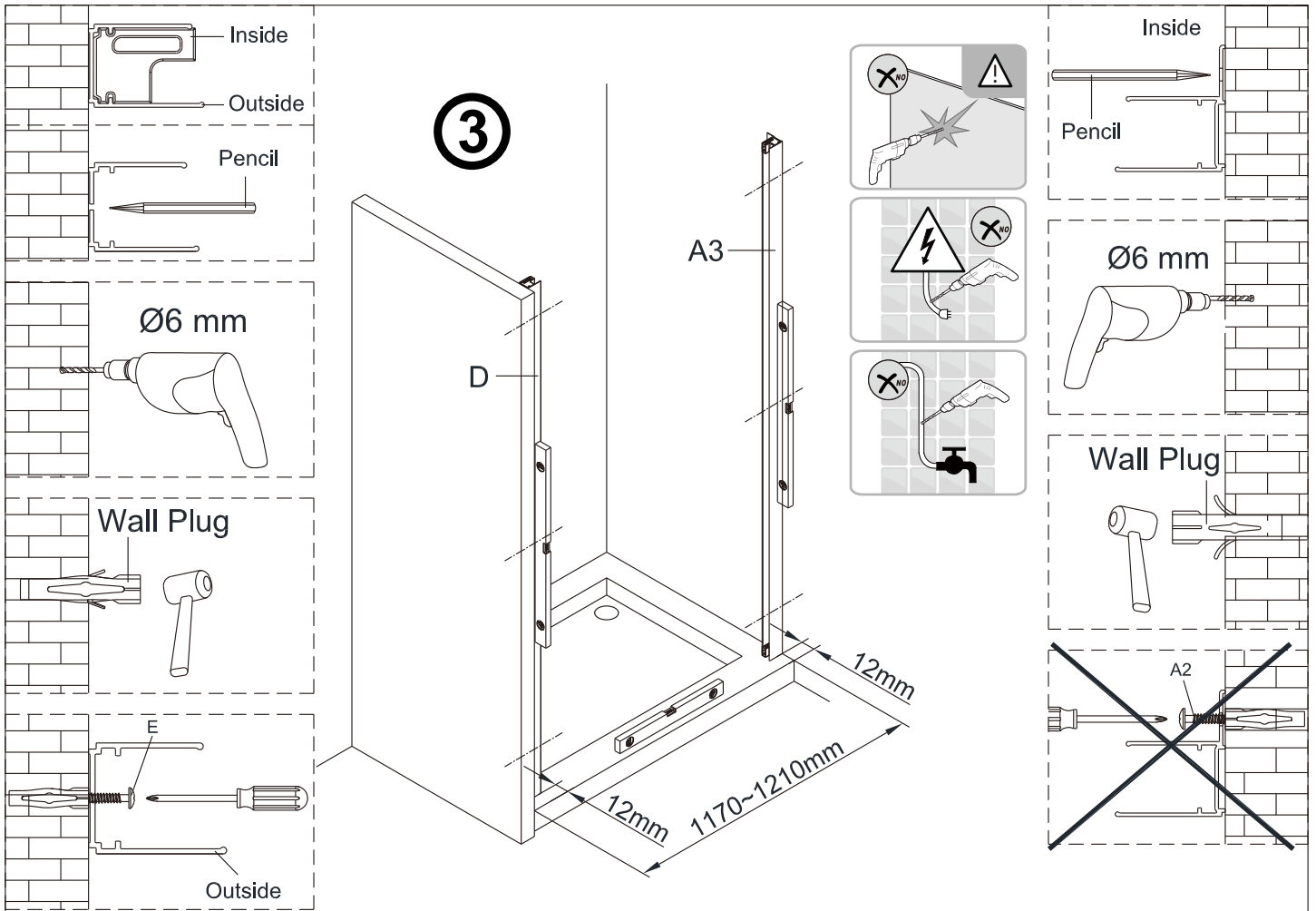
9



SET B

Both doors can be assembled on the right and left hand side.
We recomend to follow the drawings in case of changing the standard door disposition.

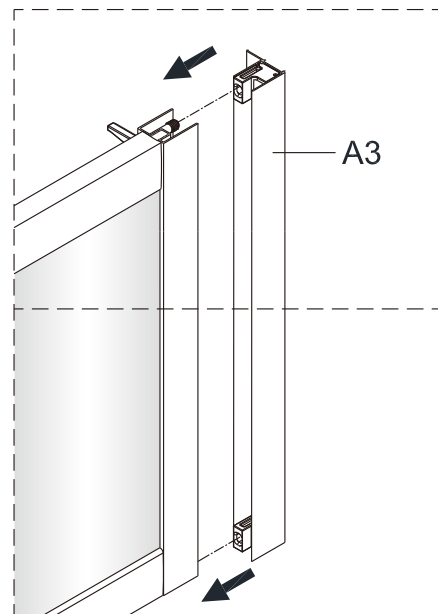
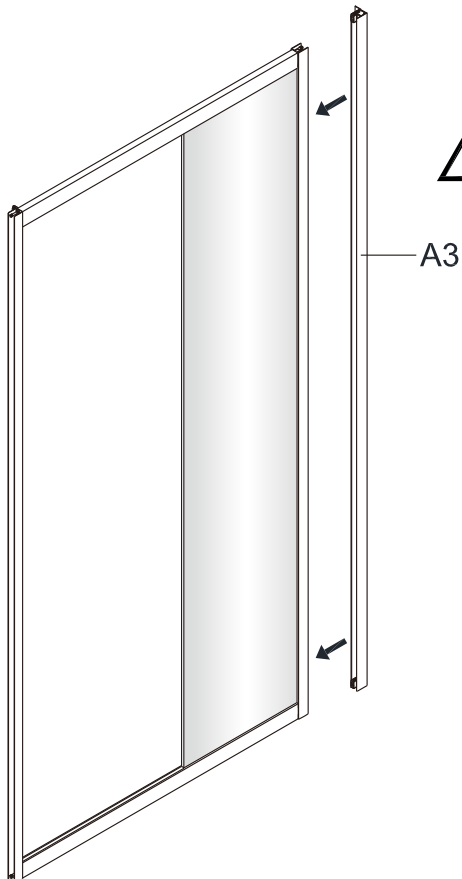




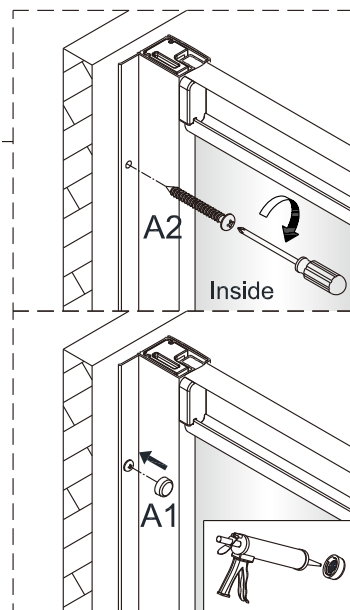
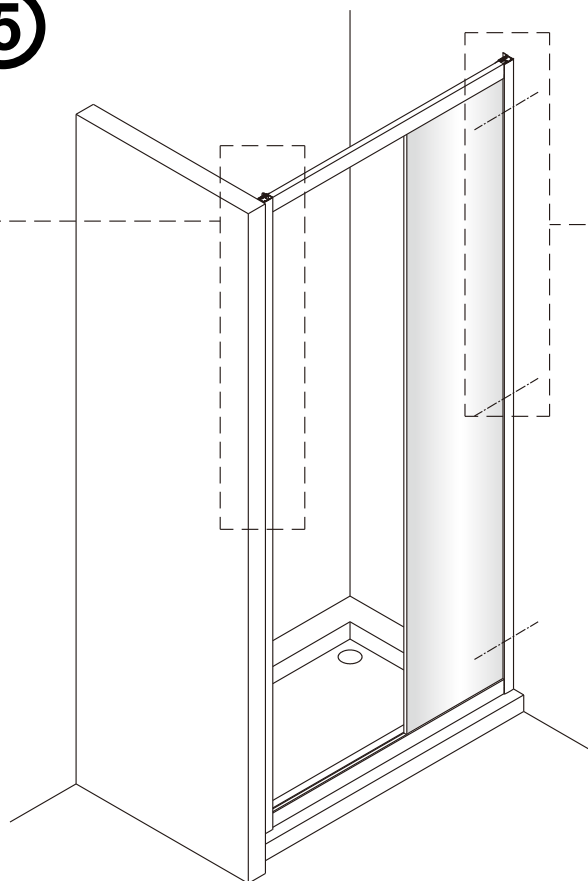
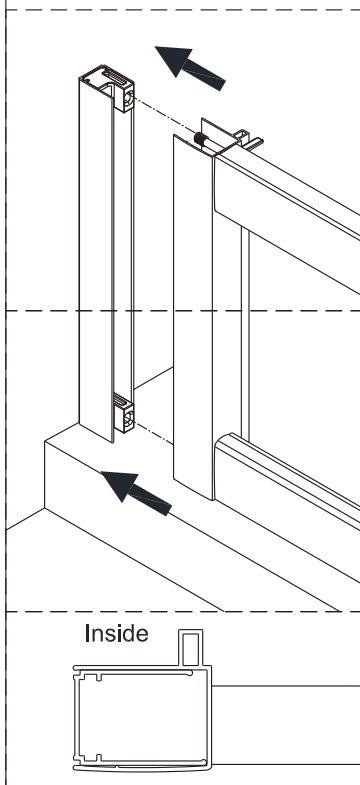
4



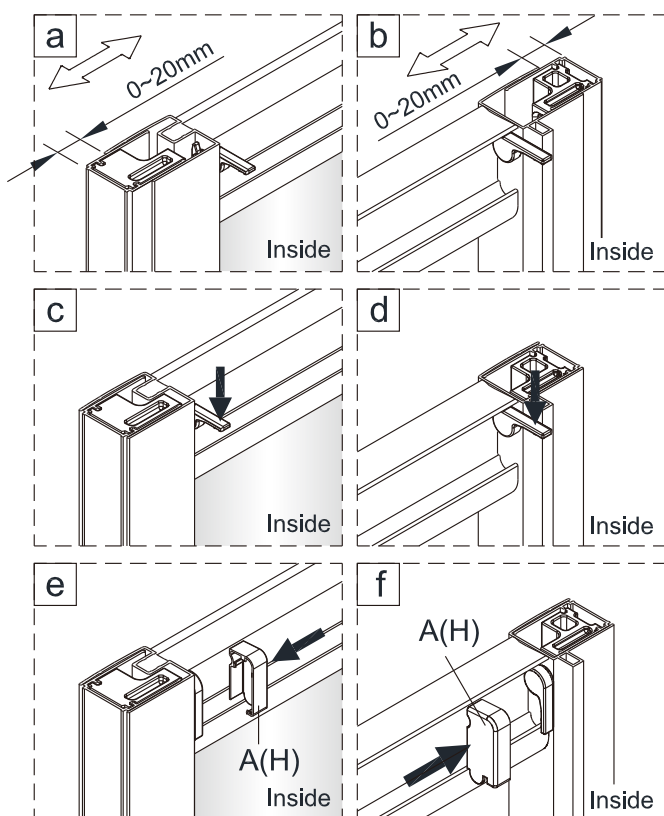
Position the locking pin lever to a 90° angle (so lever is horizontal) to remove and install the side panel into the wall profile



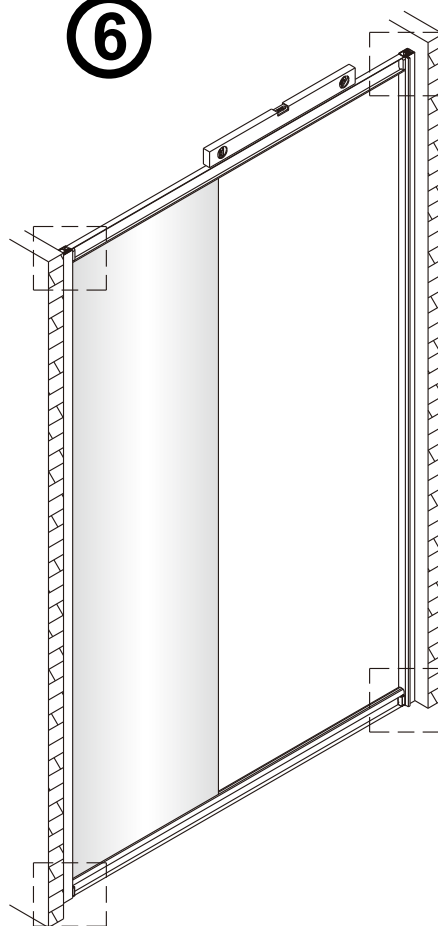
5



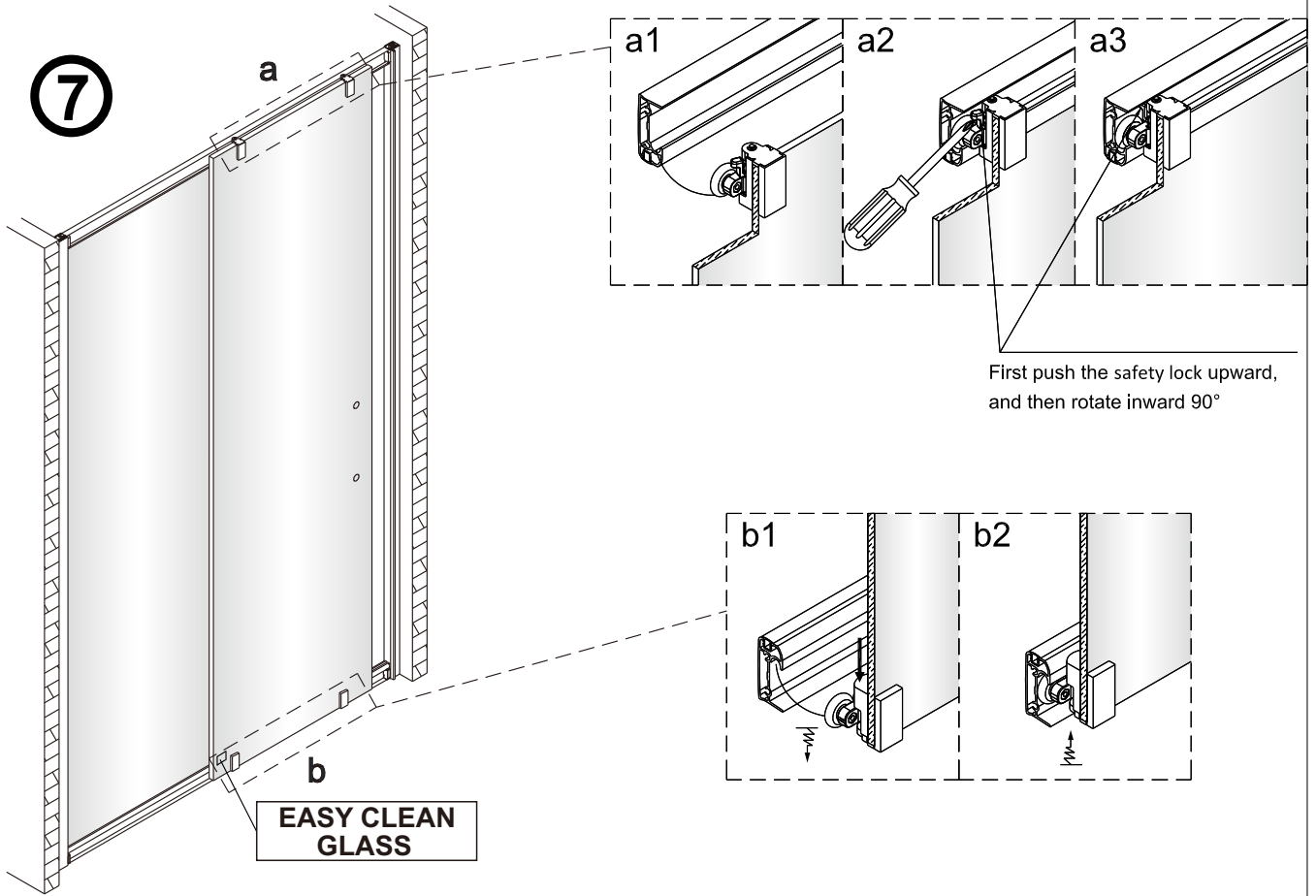
Position the locking pin lever to a 90° angle (so lever is horizontal) to remove and install the side panel into the wall profile



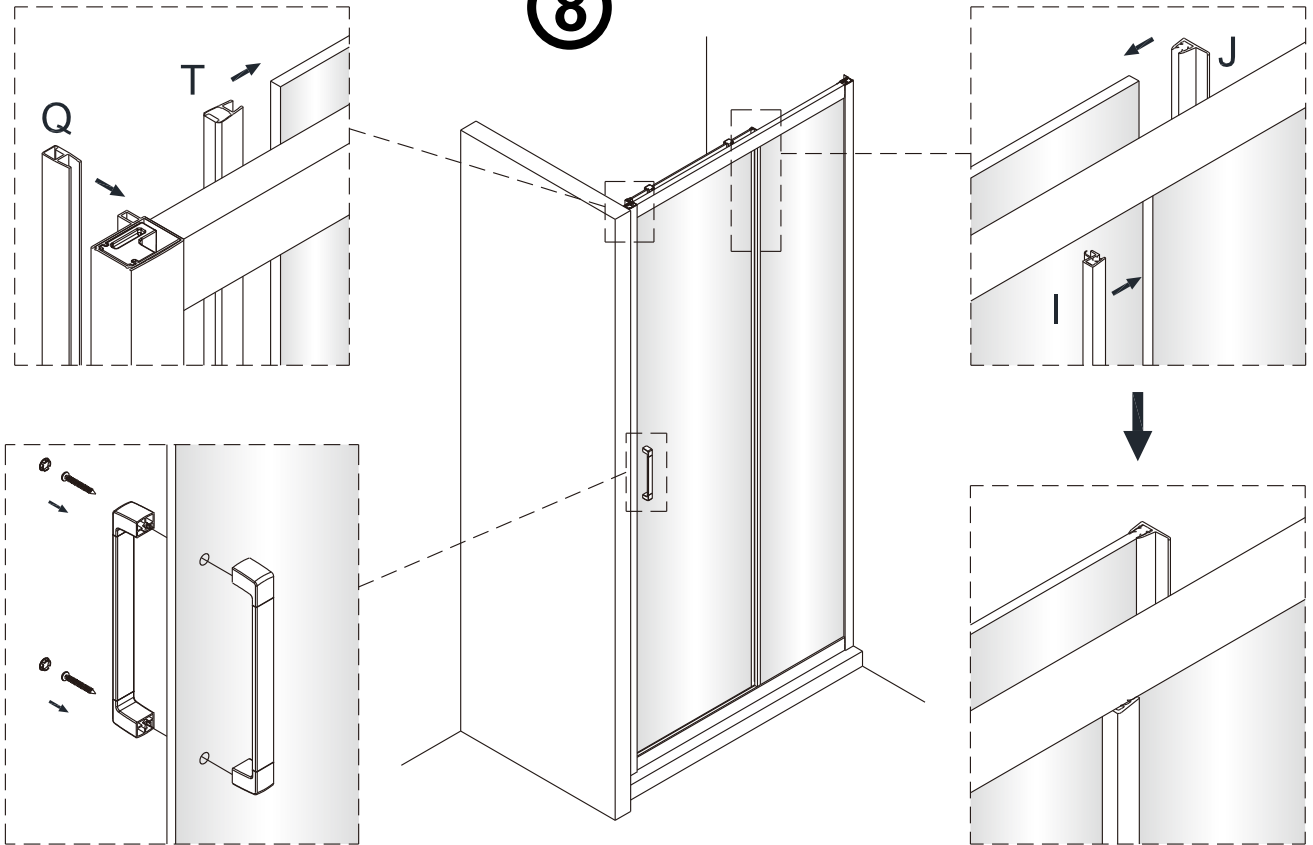
6



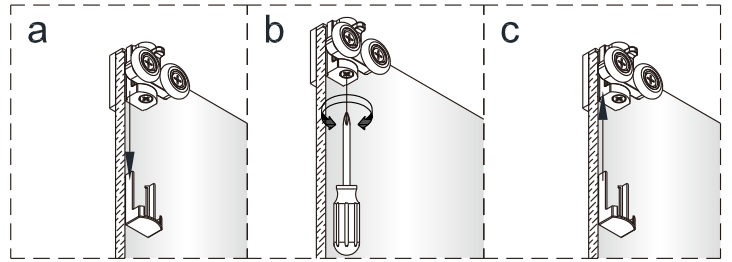
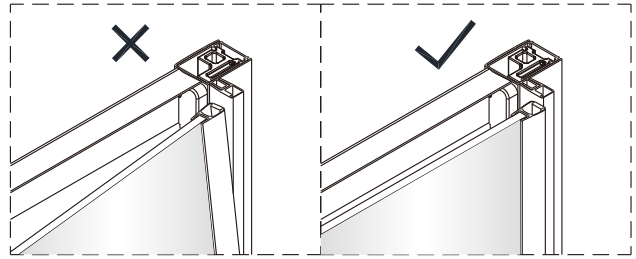
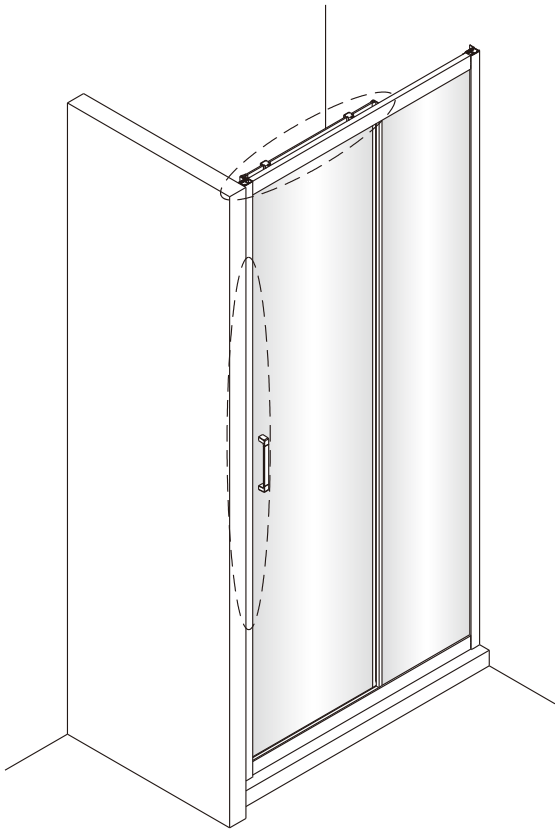
7



8



9



10

