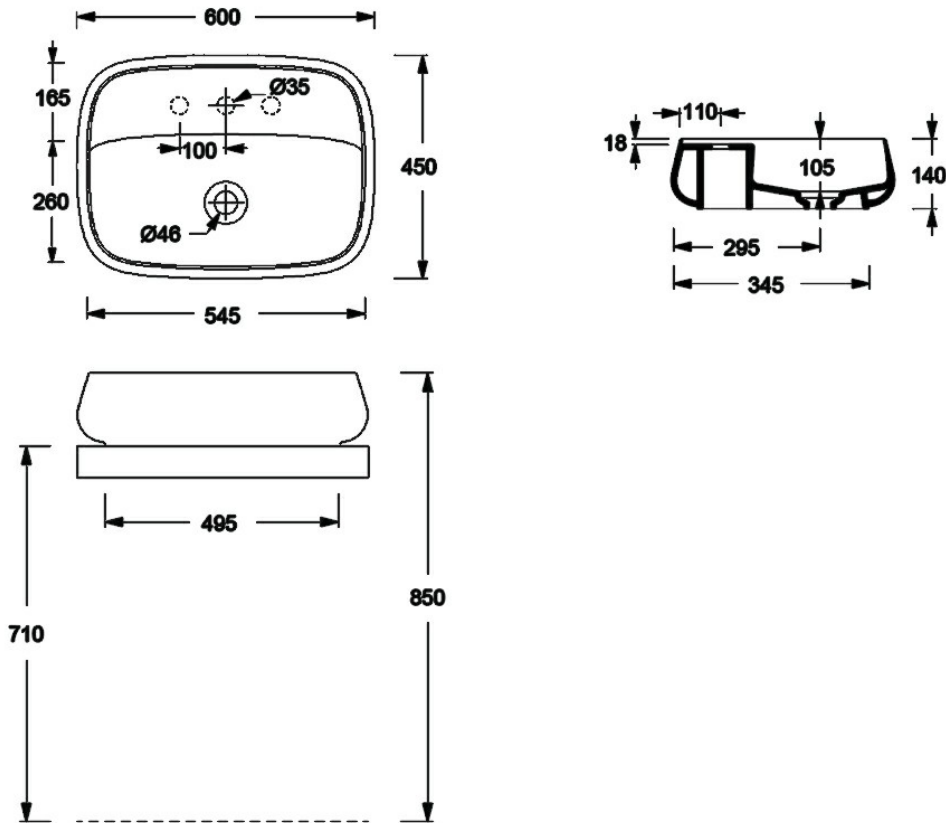


NUR VESSEL BASIN 600X450X140MM 1TH NOF - GLOSS WHITE

33210101
\$1075

alice



Ceramics of Italy

The Ceramics of Italy mark is reserved exclusively for Italian-made ceramic products and encompasses a set of values recognised the world over, including quality, transparency, leadership in design, innovation and environmental sustainability.



Thin Edge Design

Elegant thin edge design that gives the illusion of a disappearing edge when viewed from above.



Sottosquardo Curve

The negative inclination of the edge is unique in its kind and represents the renewed ambitious attitude of Alice together with the designer Massimiliano Braconi.



Hand Finished

Every piece from Alice is created and finished by a team of highly skilled and experienced craftsmen.



AliGlaze+

Antibacterial enamel for a surface protected 99.99% from bacteria, enriched with silver, titanium and zinc ions.



Guarantee

10 Year Guarantee



Weight

15.5KG



Taphole

1 Tap Hole

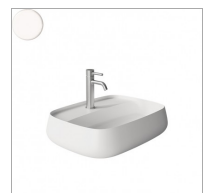


No Overflow



Made in Italy

Designed & Engineered in Italy



Nur represents the pinnacle of engineering and sanitary design made in Italy. The negative slope of the edge represents our renewed ambitious attitude together with the designer Massimiliano Braconi. A patented processing technique that allows the creation of harmonious and ambitious shapes, in line with the spirit of Alice.