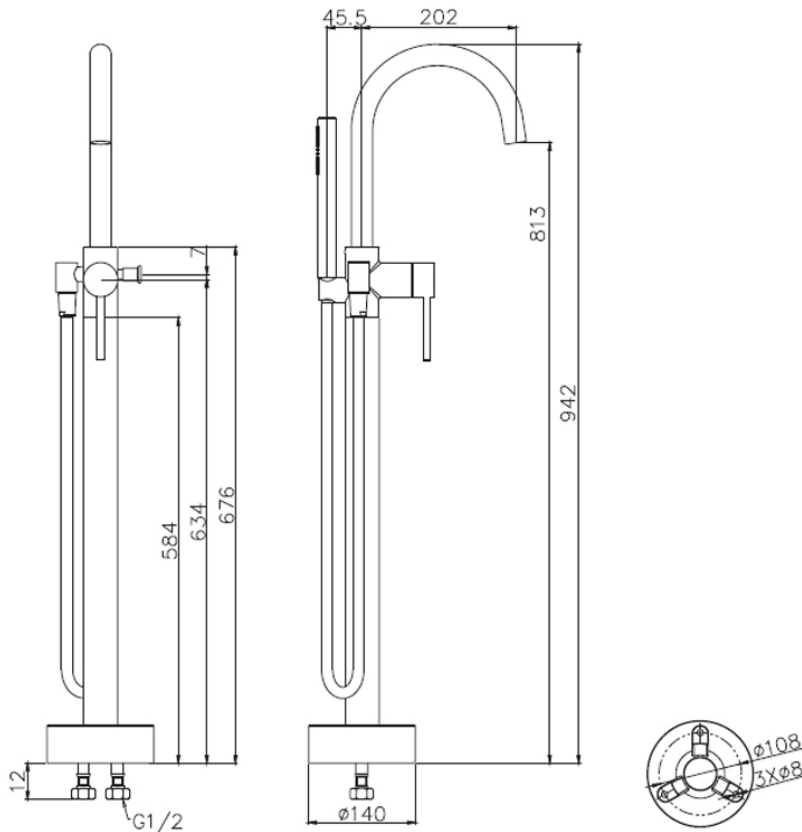


UNO BATH COLUMN WITH HAND SHOWER - CHROME

42985.02
\$2095

ELEMENTi



10	Guarantee	10 Year Guarantee
5	Guarantee	5 Year Guarantee on coloured finish
	Mains Pressure	Suitable for Mains Pressure.
	Flawless Finish	Advanced plating provides a durable surface with a long lasting finish
	Smooth Flow	Aerator reduces scaling while delivering a smooth even flow
	Aquabella Check Valve	All Aquabella hand showers are fitted with a Neoperl Combined Check Valve and Flow Regulator - Neoperl Part Number 31.2015.1 in accordance with the New Zealand Building Code.
	Progressive Cartridge	Turn dial clockwise from Cold through to Hot
	Chrome Plate	A base of copper is first applied followed by a layer of nickel and then finally a hard gloss coating of chromium to achieve a shiny hard wearing finish.
	Electroplated: Gun Metal	Electrical current is used to dissolve components into Lacquer that then adhere to the surface.
	Electroplated: Black	Electrical current is used to dissolve components into Lacquer that then adhere to the surface.





Electroplated with
PVD: Brushed Nickel

Electrical current is used to dissolve components into Lacquer that then adhere to the surface. A thin metal-spray coating in the form of very thin layers is finally applied using PVD process.



Electroplated with
PVD: Brushed Brass

Electrical current is used to dissolve components into Lacquer that then adhere to the surface. A thin metal-spray coating in the form of very thin layers is finally applied using PVD process.



BPIR - B2.3.1
Durability

This product complies with Building Code Regulation B2.3.1 Durability



BPIR - G12.3.2 (B)
G12 Water Supplies

This product complies with Building Code Regulation G12.3.2 (B) G12 Water Supplies



BPIR - G12.3.7 G12
Water Supplies

This product complies with Building Code Regulation G12.3.7 G12 Water Supplies

The Uno collection offers a glamorous look without being too ostentatious. After years of chrome dominating as the must-have metal, there has been a move away from the high shine, perfect finish of Chrome towards finishes like Brushed Nickel, Gun Metal, Black and Brushed Brass.