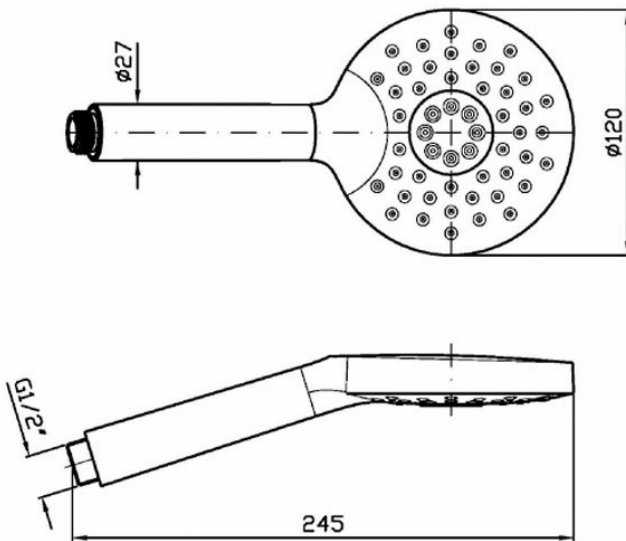


ZUCCHETTI 3FCT HAND PIECE CHROME

Z94740
\$369

ZUCCHETTI.



5	Guarantee	5 Year Guarantee
✘	Indent Only	Contact us for availability



Reassuring and essential, the award-winning Brim collection stands out for its compact design that uses a single lexicon to elaborate two different shapes, the circle and the square. Designed by Ludovica + Roberto Palomba Brim is the synthesis of an industrial design project that began with the Soft mixer and has evolved according to ever-modern cannons, managing to tune opposing geometrics to achieve perfect shapes.